

Standard Oval Basin with Overflow Item No. 151


For Drop-in Installation

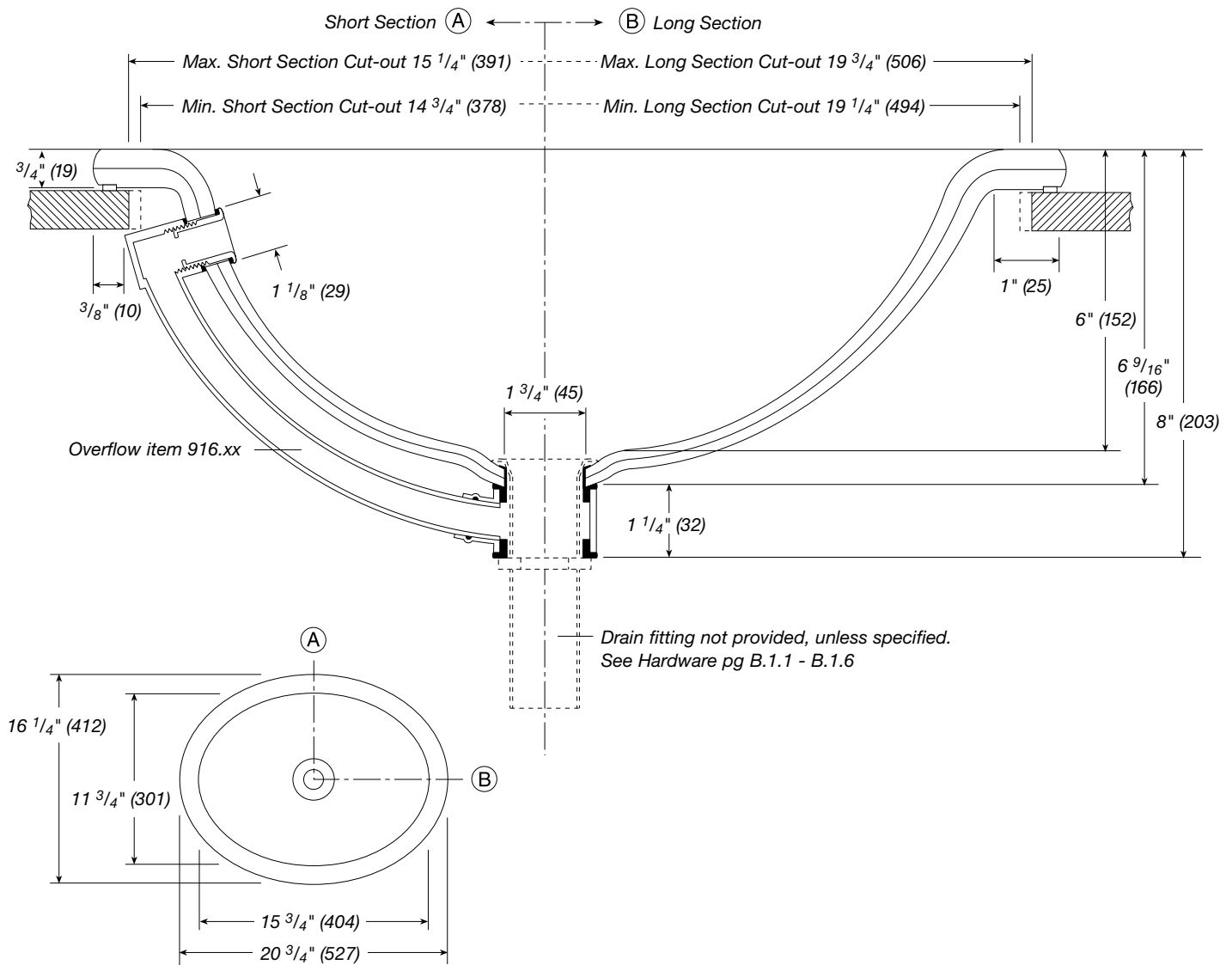
Drop-in installation is accomplished by using a self-adhesive silicone gasket applied during installation to a special groove in the flange of the bowl.

Gasket is not required for Drop-in installation on some color and finish combinations. See page 1.1.1 Colors & Finish Guide for these choices. Order Item number 150 for any of these color and finish combinations.

Available with or without overflow. Overflow is not recommended. Counter may need to be notched to accommodate Overflow, use maximum cut-out size.

See Hardware pg B.1.8 to order Oval Overflow, Item number 916.xx as a separate item with choice of metal finish.

 See page 1.1.e for general ADA guidelines. Contact factory for installation of this product to meet ADA guidelines in coordination with your faucet specification.



Recommended Cut-out sizes:
 Max. Cut-out $15 \frac{1}{4}"$ (391) x $19 \frac{3}{4}"$ (506)
 Min. Cut-out $14 \frac{3}{4}"$ (378) x $19 \frac{1}{4}"$ (494)