

Installation Instructions for Drop-in Sink without Overflow Item No. 101, 151, 171

Please provide these instructions to contractor at point of sale.

CAUTION: This sink is made of glass. It is very strong, but sensitive to hard object impact, extreme change in temperature and high mechanical stress. Most damage to this product occurs during installation. Please follow installation instructions carefully. VITRAFORM sinks are intended and Warranted for Lavatory use only.

Sink Installation

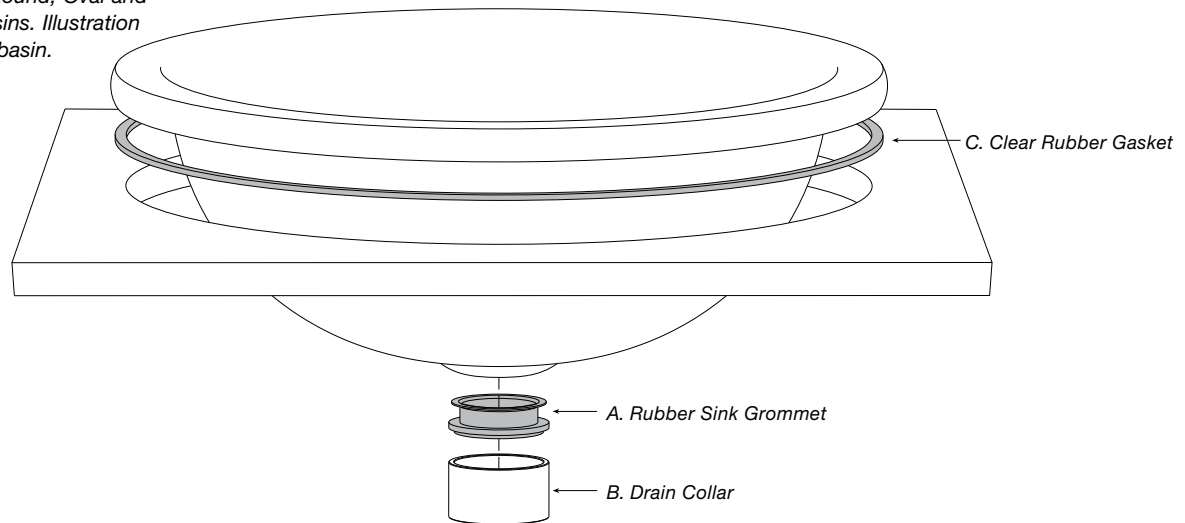
This sink is intended to be installed as "Self Rimming". The lip of the sink supports the bowl and seals to the surface to which it is fastened. A self adhesive clear rubber gasket is attached to a groove under the flange only on round and oval basins, this gasket is a temporary method of attachment to the mounting surface, allowing for minor irregularities between the counter and the lip of the sink. It provides a "dam" which will prevent silicone adhesive from getting under the lip of the sink where it will be unsightly.

Surfaces and cut-outs below the basin will be visible even on Frosted sinks. Care should be taken to properly finish any material within 2" of a frosted basin. Black and Cobalt basins in all finishes and any color glass with White Lamination, Satin Etched or Mirror finish are dense enough to be installed as self-rimming without a gasket and may be attached to the counter with silicone adhesive alone (Item 171 is only offered in these Color and Finish choices as no gasket is provided).

IMPORTANT NOTE: The use of Clear Silicone Adhesive is recommended for caulking the outside edge of this sink to most counter materials. It is virtually impossible to remove, ESPECIALLY ON FROSTED GLASS FINISHES, even before it sets. Extreme care must be taken while handling Silicone Adhesive in conjunction with this product.

1. Prepare cut-out in mounting surface to allow the sink to overlap the cut-out $\frac{1}{2}$ " to $\frac{3}{4}$ " depending upon personal preference or use Vitraform cut-out template for Drop-in installation as a guide.
2. Mark a vertical and horizontal center line on masking tape placed just outside the line of the sink edge to align the template (or sink) to the cut-out, and trace outer sink line.

Intructions for Round, Oval and Rectangular basins. Illustration showing round basin.



Care for the Vitraform Glass Sink: Use commercial glass cleaners sprayed onto a soft cloth to clean glass surface(s). Wipe basin dry after use to avoid mineral deposits on glass left by water spots. For frosted glass, special attention to stubborn stains or adhesives may be required. Silicone or other adhesives may be impossible to remove from frosted finishes. If contamination occurs attempt to remove adhesive with glass cleaner first, then denatured alcohol, paint thinner or mineral spirits. If none of these solvents work, the stain might be removed by re-blasting the bowl. Contact the factory for authorization to return the product for evaluation. A return authorization must accompany the product. Please pack the sink in the original box or other proper packing to assure its safe return and insure for full value.

Care for metal fittings and plated finishes: Wipe metal fittings dry after use to avoid water spots. Glass cleaner used on the Vitraform Glass Sink may be damaging to metal finishes. Use a diluted, neutral, liquid soap and a soft cloth to clean metal fittings. Never use an abrasive cloth or scouring pad.

3. Clean the bottom surface of the sink lip including the groove for the Gasket. Remove a short section of paper from one side of the gasket only, and fit it into the sink groove, removing paper as the gasket is pressed in place. Carefully cut the gasket to length as the ends meet.
4. Perform a "Dry Run" installation by leaving the protective paper on the bottom of the Gasket and placing the sink onto the counter. Check position of the sink for its best fit and verify marks on the masking tape. Remove the sink.
5. Remove the protective paper from the Gasket. Make sure the gasket and mounting surface is clean and free of oil, wax or tape. Carefully place the sink into its appropriate position using the masking tape as a guide. Remove tape and clean counter. **CAUTION: ONCE THE LIP OF THE SINK CONTACTS THE MOUNTING SURFACE IT IS VERY DIFFICULT TO SEPARATE THEM WITHOUT DAMAGING THE SINK OR THE CLEAR GASKET.**

Finish installation by carefully running a $\frac{1}{16}$ " bead of clear silicone around the polished edge of the sink *just* where it contacts the mounting surface. Smooth the silicone with a finger to produce a neat, small joint, providing a secure and water tight bond.

Drain Collar Hardware Supplied

- A. Rubber Sink Grommet
- B. Overflow Collar
- C. Clear Rubber Gasket with self adhesive

Standard Basins WITH Overflow may not be installed as Self-rimming without notching the counter for the overflow hardware. Contact factory for assistance.

Overflow Collar Installation

1. Insert lip of Rubber Sink Grommet **A** into drain hole of sink.
2. Mate Overflow Collar **B** with Rubber Sink Grommet **A**.

Drain Installation

See Hardware pgs B.a-e for instructions on installing Vitraform drain systems with this basin.