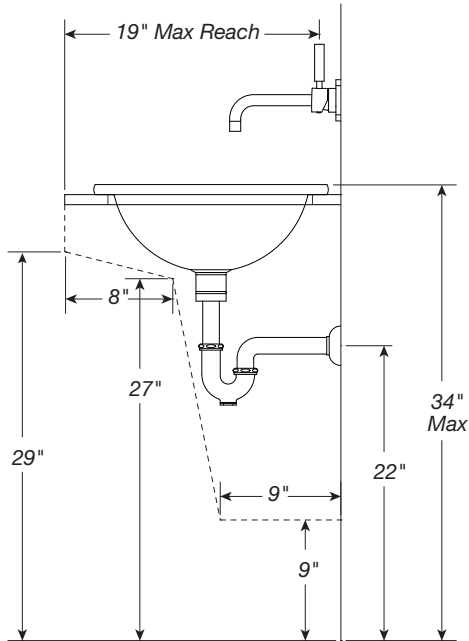


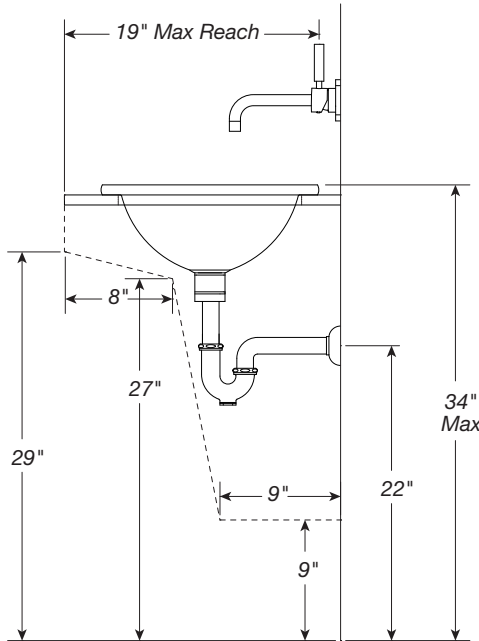
ADA Guidelines for Drop-in Installation with Basin Item No. 101 & 151

Please provide these instructions to contractor at point of sale.

Round Drop-in 101
with Wall Faucet



Oval Drop-in 151
with Wall Faucet



Dimension Reference Chart

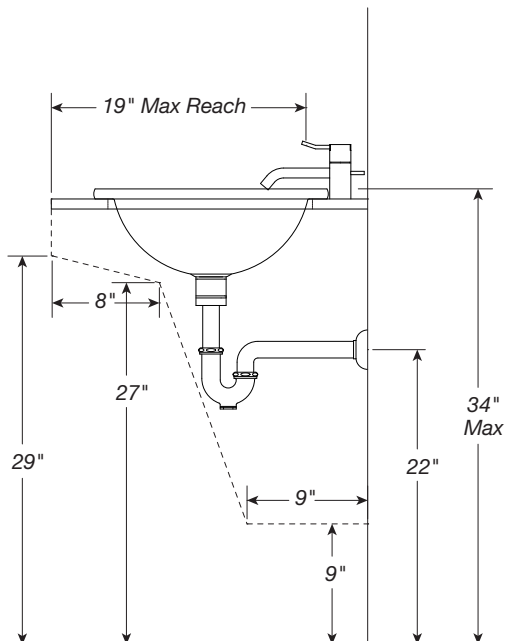
Item	Description	Dim.
A	Counter Height	34" Max.
B	Apron	29" Min.
C	Knee Clearance	27" Min.
D	Toe Clearance	9" Min.
E	Rough-in	22"
F	Knee Clearance	8" Min.
G	Toe Clearance	6" Max.

DECK FAUCETS:

Reach to faucet handle must be Maximum 19". Faucet may be positioned to side or on angle to accommodate basin. Provide faucet specification and request drawing from factory for coordination.

NOTE: The information above is for general reference only. Please refer to published ADA Guideline for local compliance and exact requirements. www.ada.gov (see Figs. 31 & 32).

Round Drop-in 101
with Deck Faucet



Oval Drop-in 151
with Deck Faucet

