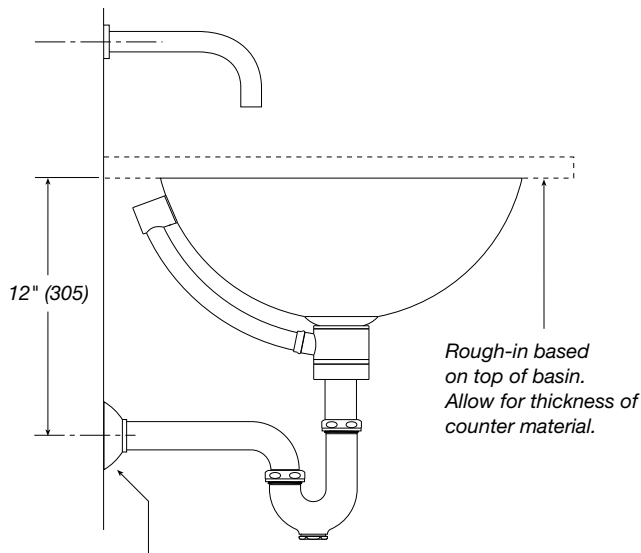


Rough-in Specification For All Rimless Undermount Basins 203, 213, 253, 263

Please provide these instructions to contractor at point of sale. See pg 2.1.c for ADA rough-in requirements.

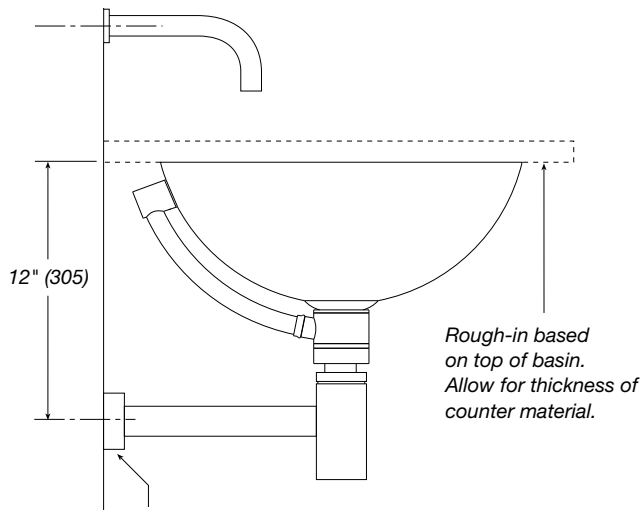
Rough-in for waste

Drawings below show recommended height of waste rough-in for all Vitraform Drain systems. If additional distance is required, see pgs B.1.1-4 for maximum rough-in dimensions of individual drains.



The compression fitting should not extend more than $\frac{5}{8}$ " (16) beyond the finished wall in order to be covered by the Vitraform escutcheon.

European Siphon

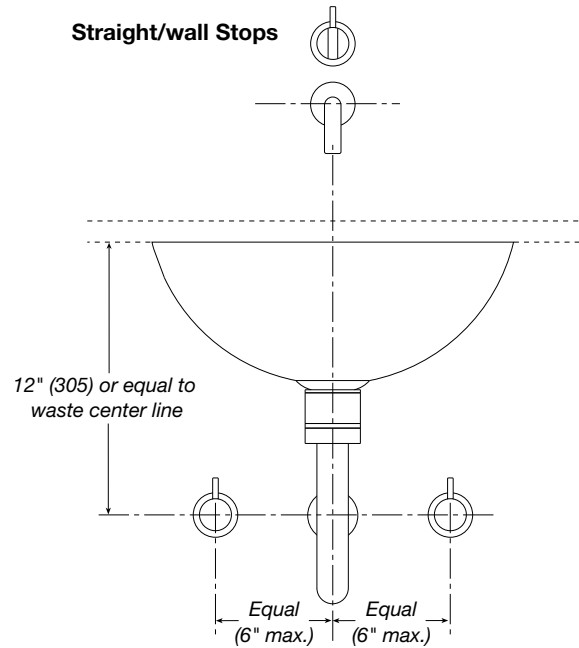


The compression fitting should not extend more than $\frac{5}{8}$ " (16) beyond the finished wall in order to be covered by the Vitraform escutcheon.

Recommended position for Stops

Drawings below are guidelines for placement of exposed fittings in Vitraform installations. Stops should be level and centered on waste line. For deck mounted faucets, height and center to center of angle stops will be defined by the length of water lines of each individual faucet.

Straight/wall Stops



Angle Stops

