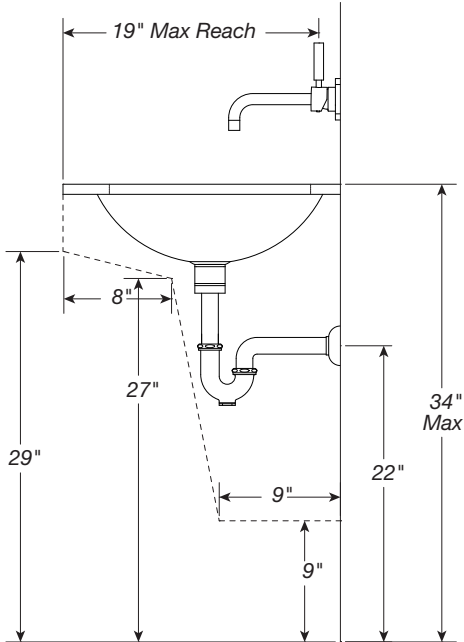


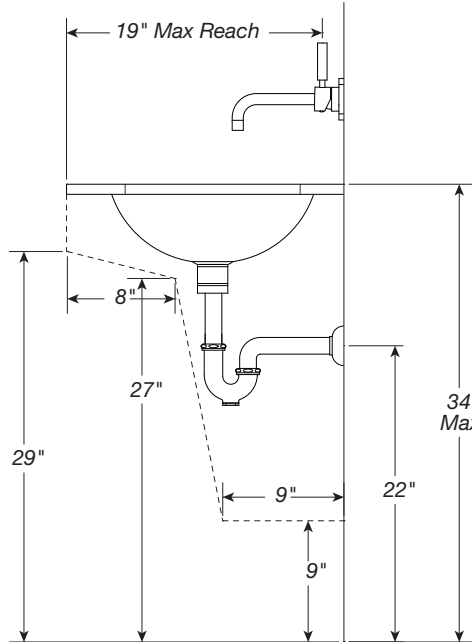
**ADA Installation Guidelines Rimless for All Undermount Basins Item No. 203, 213, 253 & 263**

Please provide these instructions to contractor at point of sale.

Round Rimless Undermount with Wall Faucet



Oval Rimless Undermount with Wall Faucet



**Dimension Reference Chart**

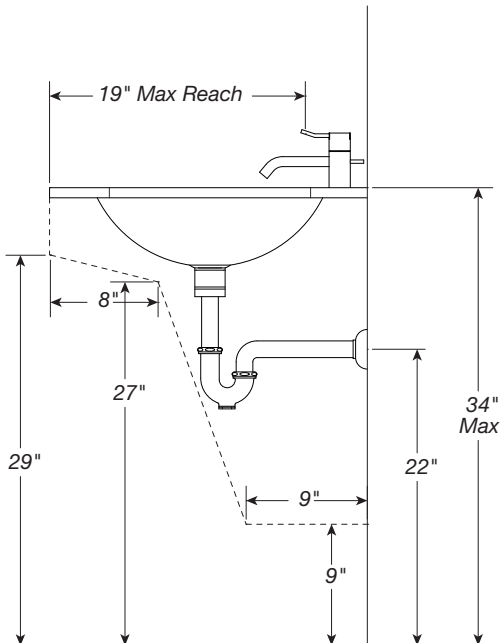
Item	Description	Dim.
A	Counter Height	34" Max.
B	Apron	29" Min.
C	Knee Clearance	27" Min.
D	Toe Clearance	9" Min.
E	Rough-in	22"
F	Knee Clearance	8" Min.
G	Toe Clearance	6" Max.

**DECK FAUCETS:**

Reach to faucet handle must be Maximum 19". Faucet may be positioned to side or on angle to accommodate basin. Provide faucet specification and request drawing from factory for coordination.

NOTE: The information above is for general reference only. Please refer to published ADA Guideline for local compliance and exact requirements. [www.ada.gov](http://www.ada.gov) (see Figs. 31 & 32).

Round Rimless Undermount with Deck Faucet



Oval Rimless Undermount with Deck Faucet

