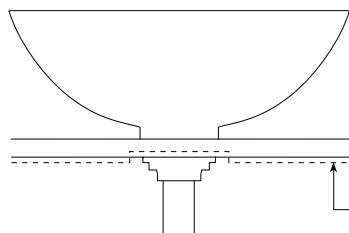
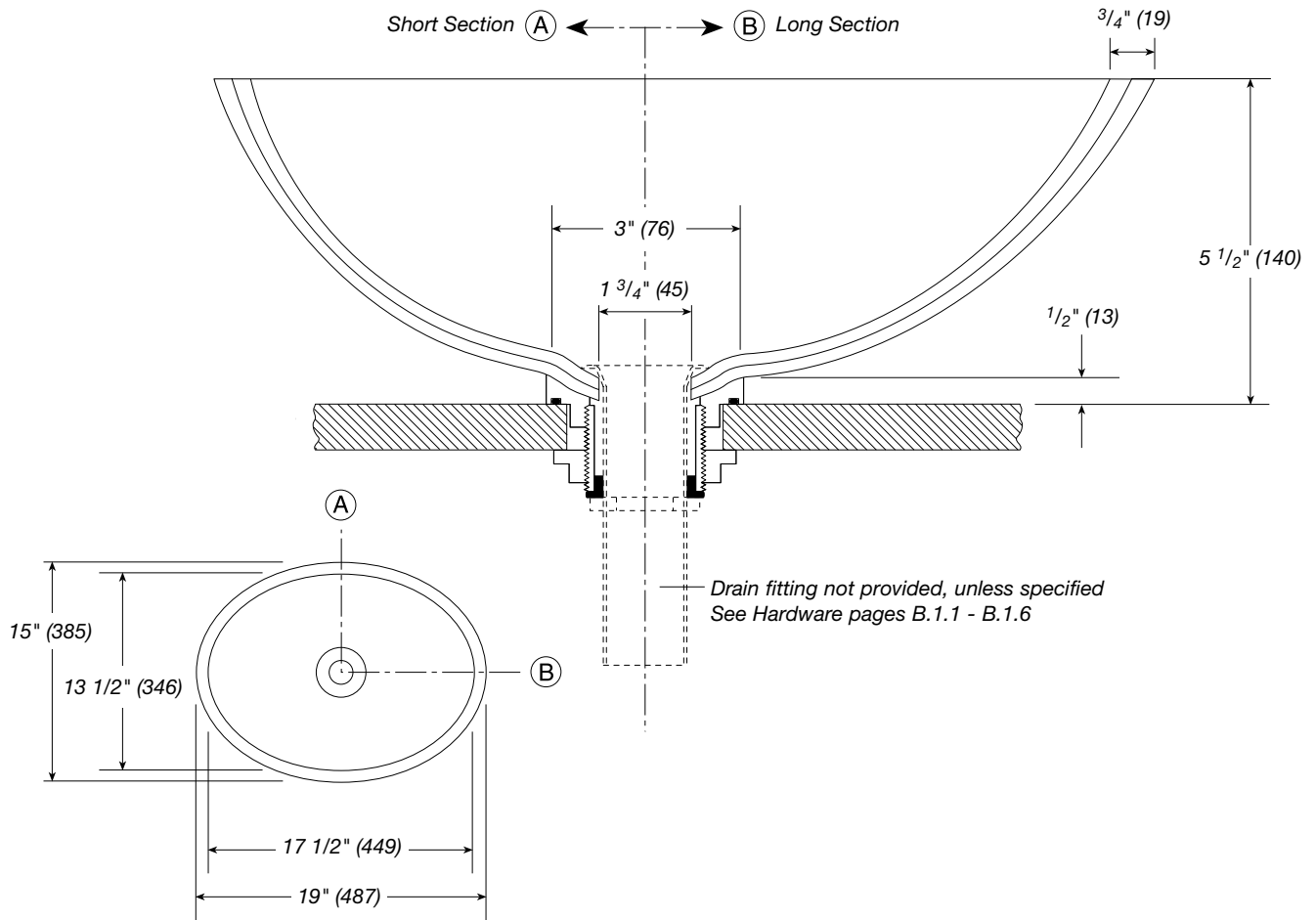


Large Oval Freestanding Basin Item No. 260

Overflow not available for Freestanding Basin.

Requires 2 1/2" (64) dia. hole in counter for installation.

Specify counter thickness if greater than 1 1/4" (32).



Acceptable counter thickness without modifications is 1" (25).
 Drain Mount Nut may be inverted to accommodate up to 1 1/4" (32) material.
 For countertops over 1 1/4" (32) thick, create 5" (127) diameter relief hole under counter to accommodate drain mount nut as shown.
 Where modification is not possible, contact factory for assistance.