


## Round Countersink with Overflow

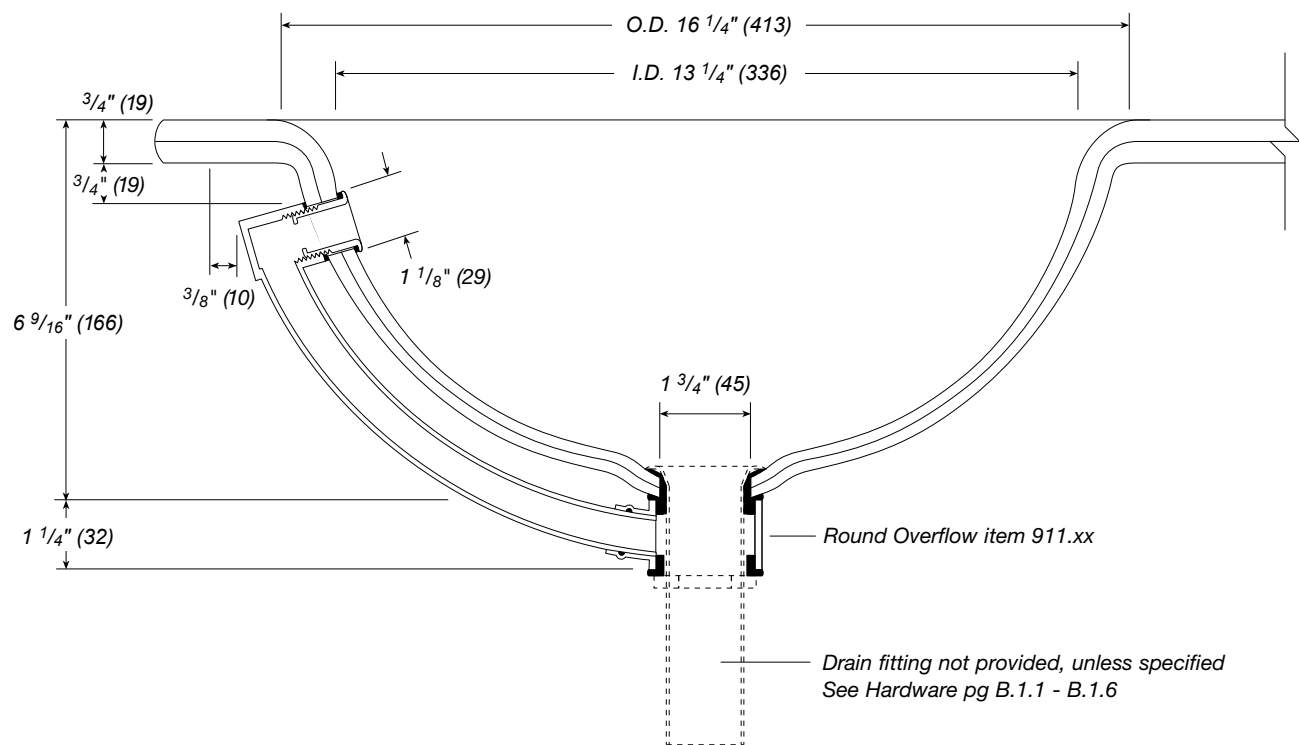
Rectangular Front Countersink      Item No. 300  
 Radius Front Countersink          Item No. 400

Available in standard widths from 20" (508) to 84" (2132),  
 with up to 3 bowls. Custom sizes and shapes by request.

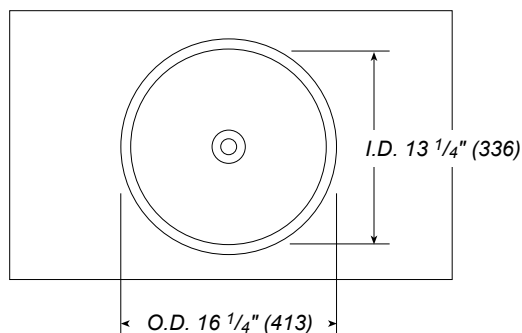
See Hardware Specification pgs B.2.2-12 for Vitraform Countersink mounting systems.

Available with or without overflow.  
 See hardware pg B.1.8 to order Round Overflow, Item number 911.xx as a separate  
 item with choice of finish.

 See page 4.1.e for general ADA guidelines. Contact factory for installation of this  
 product to meet ADA guidelines in coordination with your faucet specification.



**Rectangular Front Countersink Item No. 300**



**Radius Front Countersink Item No. 400**

