


Rectangular Countersink with Overflow

Rectangular Front Countersink Item No. 370

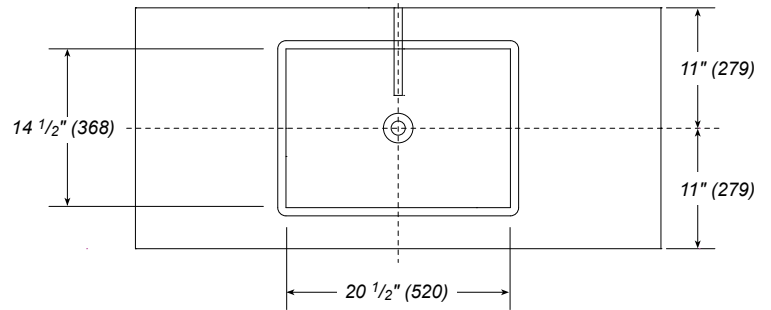
Available in standard widths from 30" (762) to 84" (2132), with one or two bowls. Custom sizes and shapes by request.

See Hardware Specification pgs B.2.2-12 for Vitraform Countersink mounting systems.

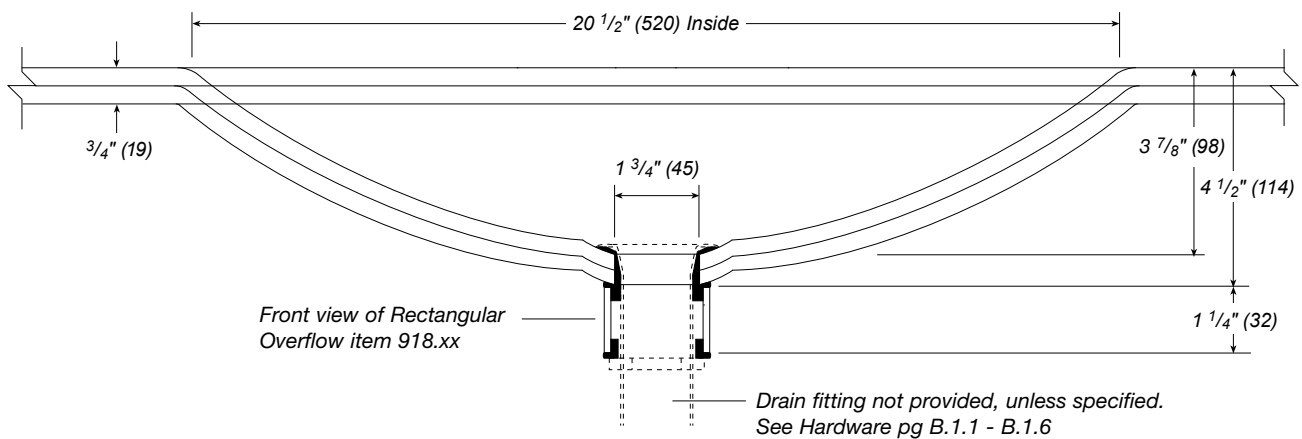
Available with or without overflow. See hardware pg B.1.8 to order Rectangular Overflow, Item number 918.xx as a separate item with choice of finish.

 See page 4.1.f for general ADA guidelines. Contact factory for installation of this product to meet ADA guidelines in coordination with your faucet specification.

Rectangular Countersink Item No. 370



Long Section (A)



Short Section (B)

