

Console with Towel Bar

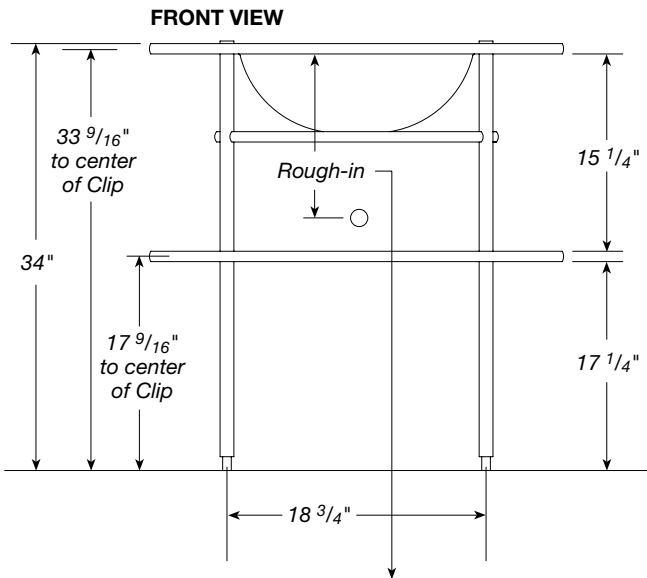
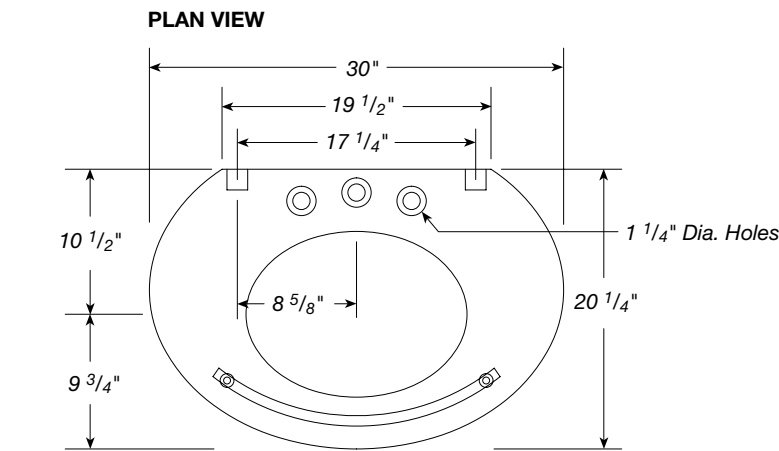
Rectangular Front

Round Basin	Item 330.XX
Oval Basin	Item 380.XX
Rectangular Basin	Item 390.XX
Double Round Basin	Item 332.XX
Double Oval Basin	Item 382.XX
Double Rectangular Basin	Item 392.XX

Radius Front

Round Basin	Item 430.XX
Oval Basin	Item 480.XX
Double Round Basin	Item 432.XX
Double Oval Basin	Item 482.XX

Glass Finish Options: See Color & Finish guide page 4.2.1 for selection of appropriate glass finishes for this item.



Drawing for approval provided with rough-in specifications based on required height of counter

