

Oval Vanity Item No. VF1

Wood cabinet only, order CounterSink separately. (see Section 4.0)

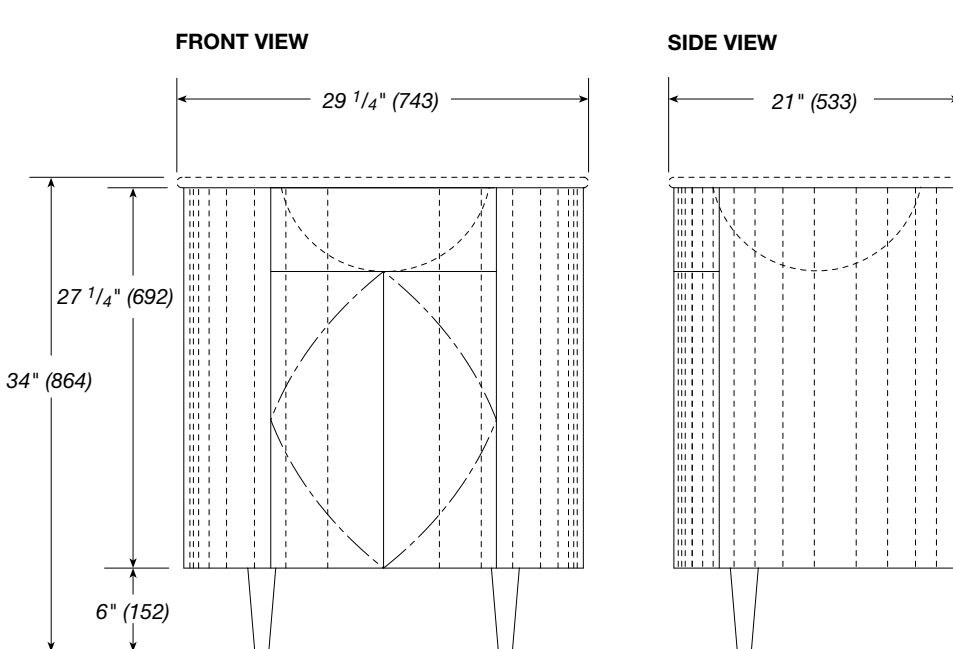
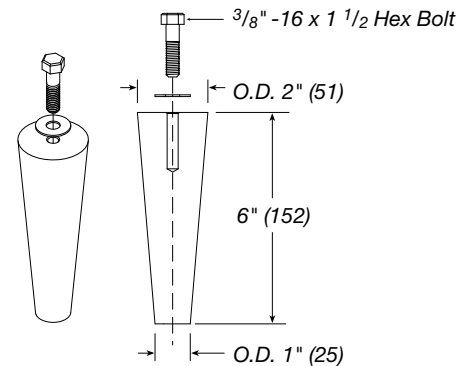
Available in a variety of standard veneers. (see page A.4.1)
 Custom veneers by quotation.

Tapered legs and Cabinet pulls are optional.
 Refer to General price list for prices and metal finish options.

Provide wall mount or deck mount faucet specification.
 Wall mount spout projection min. 7" max. 8"

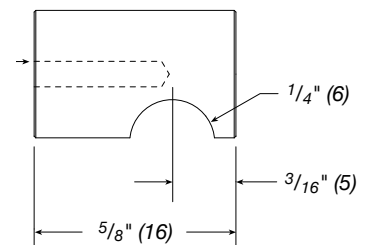
Vitraform Cabinet pulls are optional. Refer to General price list for prices and metal finish options. For pulls "by other", specify hole size and drill location on Work Sheet page 7.1.w.

OPTIONAL TAPERED LEG DETAIL

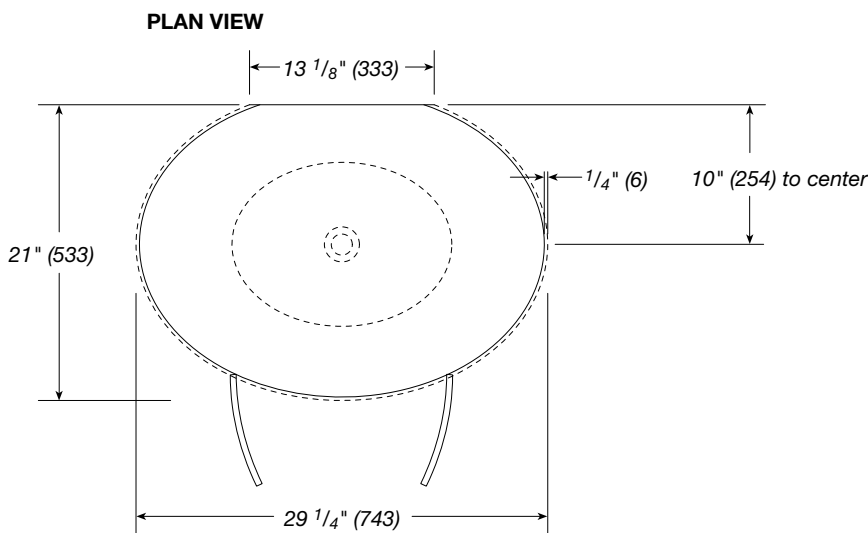
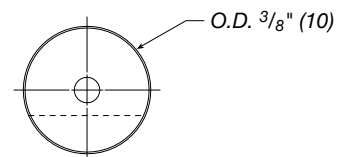


OPTIONAL CABINET PULL

SIDE VIEW



PLAN VIEW



Oval Vanity Item No. VF2

Wood cabinet only, order Basin and Countertop separately. (see Sections 3.0 and 5.0)

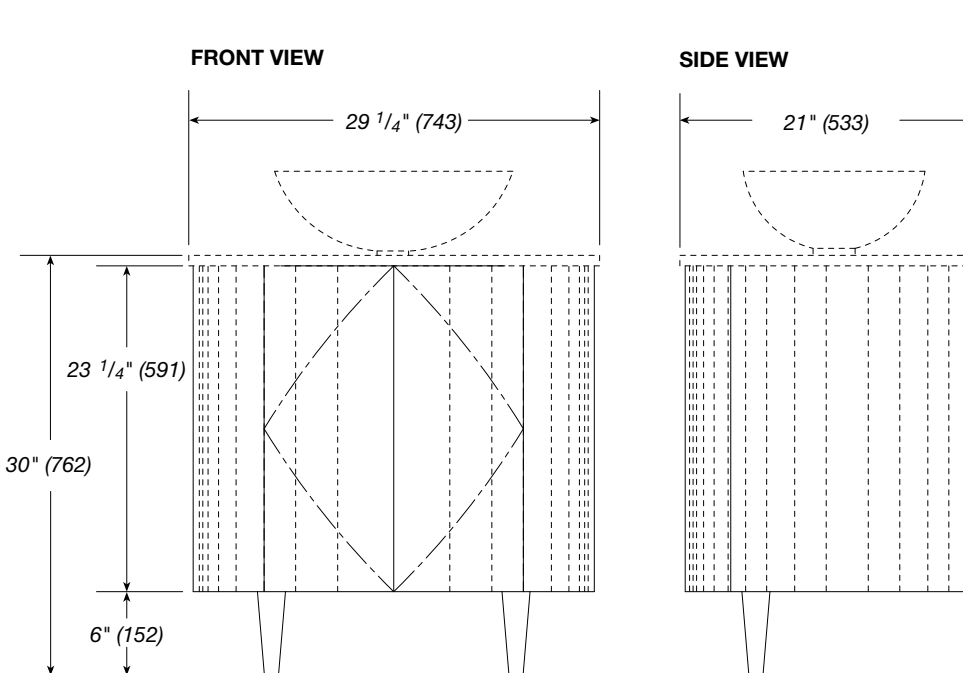
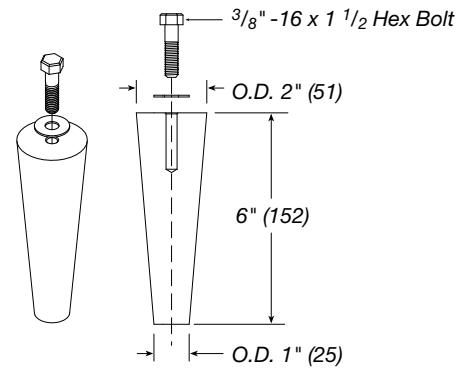
Available in a variety of standard veneers. (see page A.4.1)
 Custom veneers by quotation.

Tapered legs and Cabinet pulls are optional.
 Refer to General price list for prices and metal finish options.

Provide wall mount or deck mount faucet specification.
 Wall mount spout projection min. 7" max. 8".

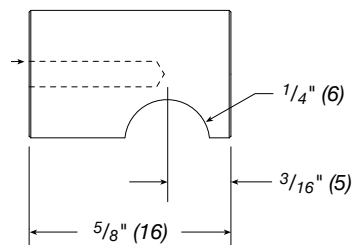
Vitraform Cabinet pulls are optional. Refer to General price list for prices and metal finish options. For pulls "by other", specify hole size and drill location on Work Sheet page 7.1.w.

OPTIONAL TAPERED LEG DETAIL



OPTIONAL CABINET PULL

SIDE VIEW



PLAN VIEW

