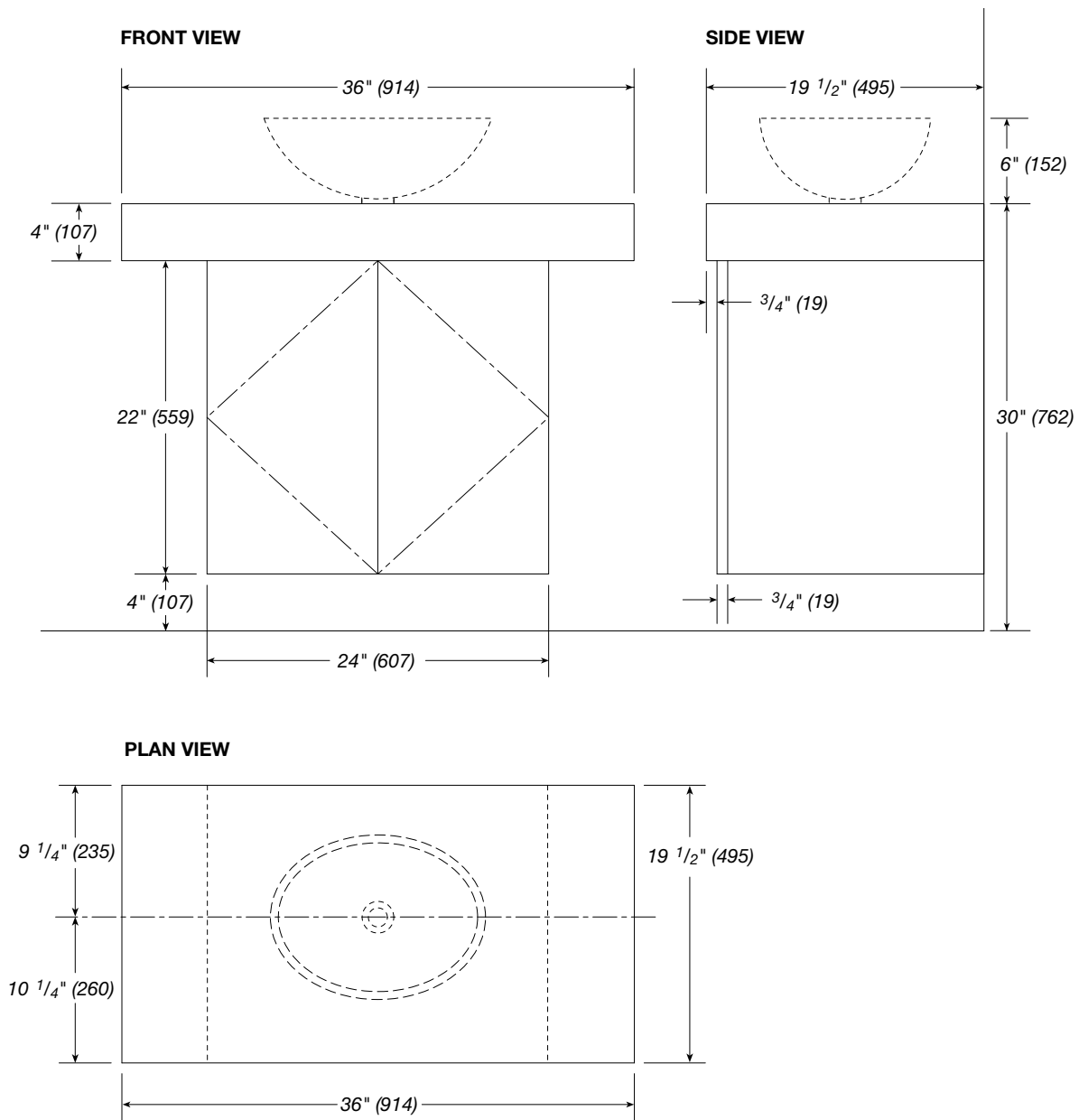


T Vanity Item No. VF3

Wood cabinet only. Order Vitraform Freestanding Basin separately. (see Section 3.0)
 Available in a variety of standard veneers. (see page A.4.1)
 Recommended with 6"-7" wall mount faucet spout.
 Custom sizes and veneer options by quotation.

Touch latch door hardware provided as standard. May be ordered drilled for cabinet pulls if preferred. Vitraform Cabinet pulls are optional. Refer to General price list for prices and metal finish options. For pulls "by other", specify hole size and drill location on Work Sheet page 7.1.w.

NOTE: Sturdy blocking in wall required for mounting.
 No legs are required with this style.



Small T Vanity Item No. VF3 25"

Wood cabinet only. Order Vitraform Freestanding Basin separately. (see Section 3.0)
 Available in a variety of standard veneers. (see page A.4.1)
 Recommended with 6"-7" wall mount faucet spout.
 Custom sizes and veneer options by quotation.

Touch latch door hardware provided as standard. May be ordered drilled for cabinet pulls if preferred. Vitraform Cabinet pulls are optional. Refer to General price list for prices and metal finish options. For pulls "by other", specify hole size and drill location on Work Sheet page 7.1.w.

NOTE: Sturdy blocking in wall required for mounting.
 No legs are required with this style.

