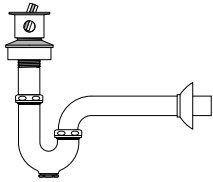


Pivot Drain Set Includes P Trap or Euro Siphon

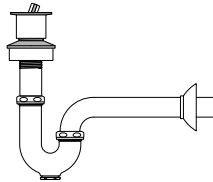
With Overflow



Drain with P Trap

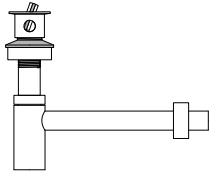
Item 820.XX

Without Overflow



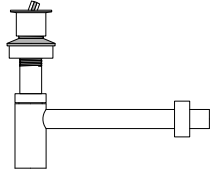
Drain with P Trap

Item 821.XX



Drain with Euro Siphon

Item 820.XXS



Drain with Euro Siphon

Item 821.XXS

Notes

Refer to Rough-in pgs 1.1.a, 2.1.a, 3.1.a, 4.1a and 4.1b for each product group.

Maximum Rough-in height if required:

Basin Style:	Measured from:
Standard Basin Round or Oval	17" top of basin
Standard Basin Rectangle	15" top of basin
Rimless Undermount	16" top of basin
Freestanding	10 1/2" top of counter
Freestanding Mono-mount	9 3/4" center of mount
Countersink Round or Oval	17" top of counter
Countersink Rectangular	15" top of counter

For Freestanding Basins installed on counters up to 2 1/4" thickness, request this drain customized for exact counter thickness. Check local codes for use on a basin without Overflow.

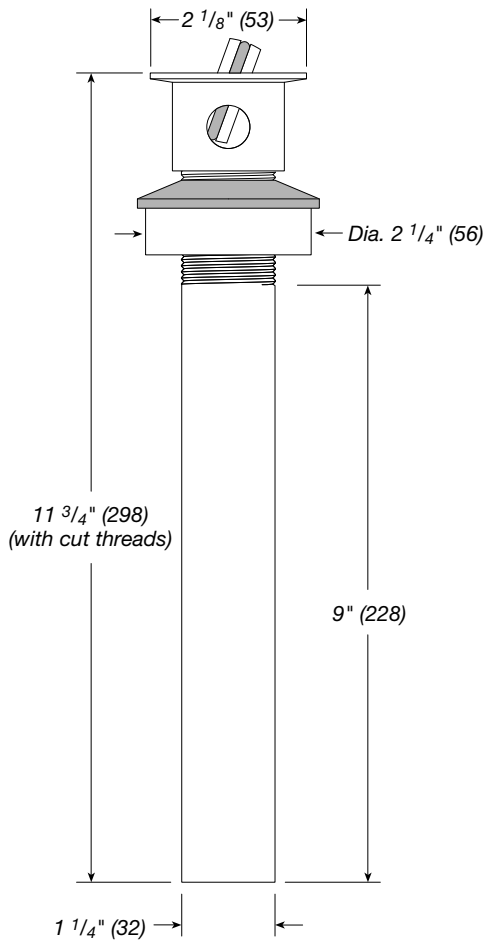
Installation Instructions: see pg B.1.2.a

P Trap Specifications: see page B.1.5

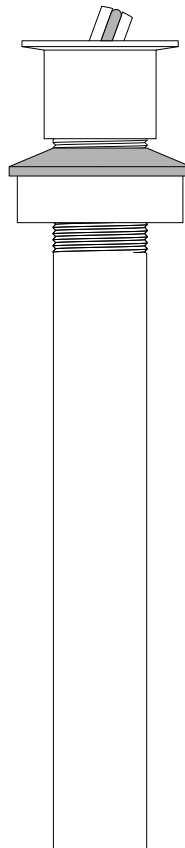
Euro Siphon Specifications: see page B.1.6

Replace "XX" in Item numbers shown with desired metal finish code. Please see Vitraform General price list for finish codes and prices.

SIDE VIEW
with Overflow



SIDE VIEW
without Overflow



EXPLODED VIEW

Drain shown is without Overflow hole

