

Console Leg Installation Instructions (with or without Towel Bar)

Please provide these instructions to contractor at point of sale.

This support is designed to be used with Vitraform glass Counters and Countersinks. It is intended to be used on $1\frac{1}{16}$ " to $1\frac{3}{16}$ " (17 to 21mm) thick laminated glass through a $\frac{1}{2}$ " hole in the Counter and set into a $\frac{1}{4}$ " x $\frac{1}{4}$ " (6 x 6mm) blind hole in the floor. It may be ordered from the factory from $4\frac{3}{4}$ " to 36" (120 to 915mm) high and it is adjustable to $\pm\frac{1}{2}$ " (13mm).

The Console Leg is intended to support Counters at the front in combination with Vitraform In-wall Channel, Vitraform Flush Clips or Vitraform Surface Clips to support the back. Optional towel bar hardware is available to be used with this installation.

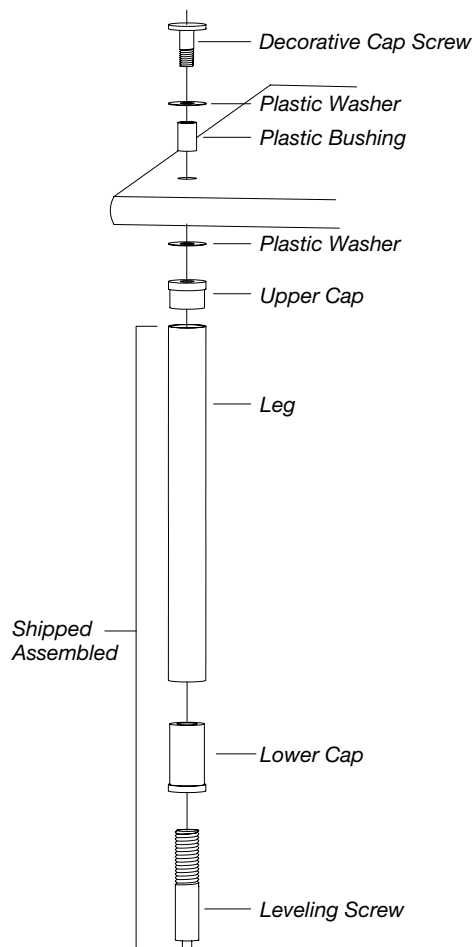
Install Counter to the back wall according to the instructions for that fitting. Temporarily support the front, outer edges of the Counter using a piece or pieces of wood cut to the appropriate length. Installation of Console leg is as follows:

1. With the **Plastic Washer** and **Plastic Bushing** assembled on the **Decorative Screw Cap**, insert into $\frac{1}{2}$ " hole provided for leg. Place the second **Plastic Washer** over the end of the **Decorative Cap Screw** against the bottom of the Counter. Thread **Upper Cap** onto **Decorative Cap Screw** and hand tighten to underside of glass Counter.
2. Adjust **Leveling Screw** in the bottom of **Console Leg** to its shortest setting and slide it into position on **Upper Cap**. Adjust **Leveling Screw** so it will self-support under the counter without taking the weight off the temporary support. Using a bubble level adjust the Console leg so it is plumb.
3. Accurately mark the point on the floor where the **Leveling Screw** is sitting and remove the console leg by adjusting the **Leveling Screw** back up. Drill a $\frac{1}{4}$ " x $\frac{1}{4}$ " (6 x 6mm) hole in floor into which the **Leveling Screw** will be inserted.
4. Permanently install Console leg as before. Remove temporary support and using a bubble level, adjust the Counter by turning the **Leveling Screw** while hand supporting the edge of the Counter to avoid over stressing the counter.
5. If In-wall Channel or Flush Mount Clips are used for back support, carefully caulk only the top surface of the Counter to the back wall using Clear Silicone adhesive.

Installation of Towel Bar (optional)

If a towel bar is ordered with the console leg, the adapter is assembled to the leg at the factory. Position the set screw at the back. Insert the towel bar and end cap as shown and tighten set screw.

Console Leg



Optional Towel Bar

