

## Two Part Support Leg Installation Instructions

Please provide these instructions to contractor at point of sale.

This leg is designed to support the front of Vitraform glass Counters above a piece of furniture or secondary counter. The Two Part Support Leg is adjustable from  $6 \frac{3}{8}$ " to  $8 \frac{1}{2}$ ". The leg is mounted at its base into a  $\frac{3}{8}$ " hole in supporting counter/cabinet material. The Vitraform Counter rests on top of the leg by weight alone; no attachment to the glass is required. The back of the Counter must be fixed and supported by Vitraform In-wall Channel or Vitraform Flush Clips. Vitraform Surface Clips are not recommended for an installation where water may damage the material below the glass.

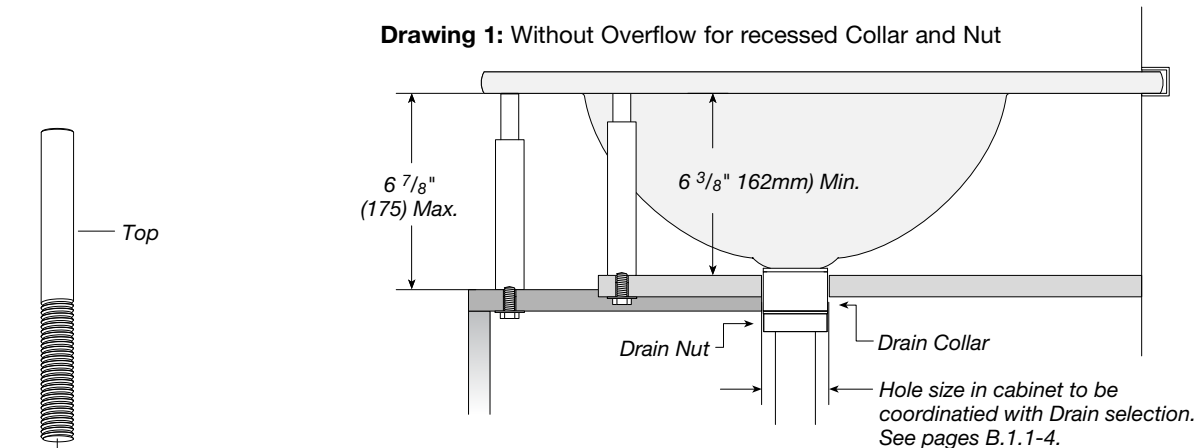
Prepare installation at the back wall according to instructions for that fitting. CARE SHOULD BE TAKEN TO SET THE APPROPRIATE HEIGHT AT WALL TO CORRESPOND WITH FURNITURE HEIGHT AND DRAIN DIMENSIONS. **Drawings 1 and 2** below show required height allowances to accommodate basins ordered with or without overflows.

### Installation of Two Part Support Leg:

1. Drill  $\frac{3}{8}$ " mounting holes in supporting furniture within 4" of front edge of glass Counter. The span between supports should not exceed 60" (23cm).

2. Insert **Base** of leg into hole in supporting material and attach with **Hex Bolt** and **Washer** provided. Adjust **Top** part of leg to be just slightly under the level of fitting used to support the Counter at the back wall.
3. Carefully install glass Counter to back support. Try to minimize sliding the Counter on the Two Part Support Leg to avoid scratching the glass.
4. The Counter may be leveled by gently lifting up and using a bubble level to adjust the **Top** part of the leg to the proper height.
5. If In-wall Channel or Flush Mount Clips are used for back support, carefully caulk only the top surface of the Counter to the back wall using Clear Silicone adhesive.
6. **WARNING:** It is important to note that the Glass Counter must be supported only by the Mounting System. Under no circumstances should Glass be allowed to rest on the drain, Overflow or Overflow Collar. Do not tighten the drain nut to the inside of the cabinet or secondary counter below the legs. This will act as a vice on the basin and cause enough force on the drain hole to crack it. Please follow directions for installation of drain and Overflow or Collar fittings as provided for the Vitraform product ordered.

**Drawing 1: Without Overflow for recessed Collar and Nut**



**Drawing 2: With or without Overflow, Collar and Nut not recessed**

