


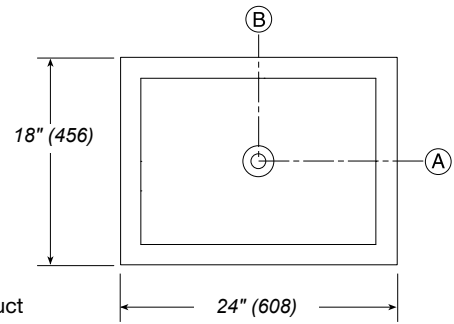
## Standard Rectangular Basin with Overflow Item No. 170

### For Undercounter Mount Installation

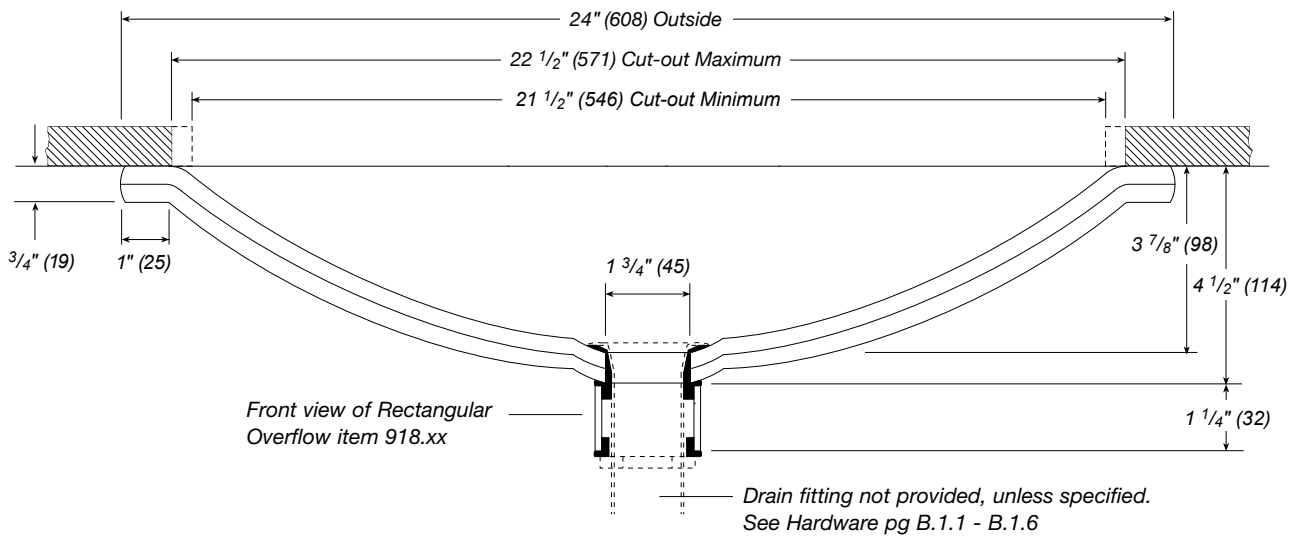
Recommended cut-out for Under Counter mounting:  
 Maximum 16 1/2" (419) x 22 1/2" (571)  
 Minimum 15 1/2" (394) x 21 1/2" (546)

Available with or without overflow  
 See Hardware pg B.1.8 to order Rectangular Overflow, Item number 918.xx as a separate item with choice of metal finish.

 See page 1.1.f for general ADA guidelines. Contact factory for installation of this product to meet ADA guidelines in coordination with your faucet specification.



### Long Section (A)



### Short Section (B)

