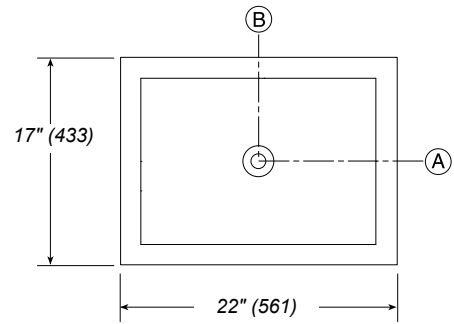


Standard Small Rectangular Basin without Overflow Item No. 140

For Undercounter Mount Installation

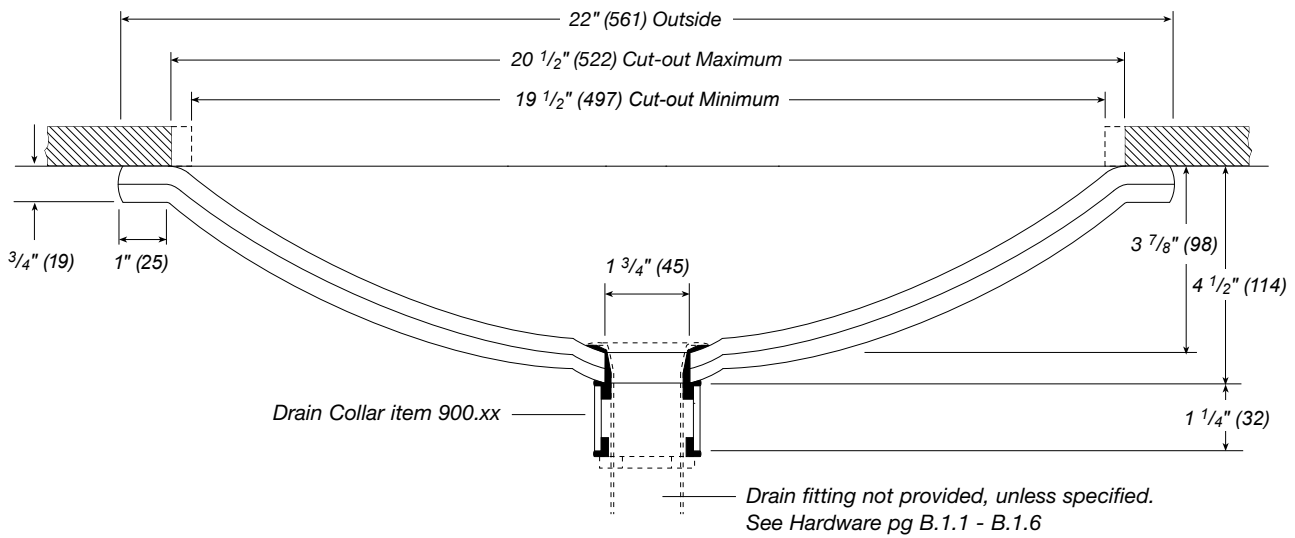
Recommended cut-out for Under Counter mounting:
 Maximum 15-1/2" (395) x 20-1/2" (522)
 Minimum 14-1/2" (369) x 19-1/2" (497)

Available with or without overflow
 For Basins without Overflow, Overflow Collar is *required* to install drain
 See Hardware pg B.1.7 to order Drain Collar, Item number 900.xx
 as a separate item with choice of metal finish.



See page 1.1.f for general ADA guidelines. Contact factory for installation of this product to meet ADA guidelines in coordination with your faucet specification.

Long Section (A)



Short Section (B)

