


## Standard Small Rectangular Basin with Overflow Item No. 141

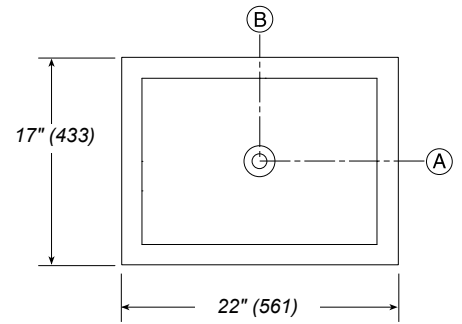
### For Drop-in Installation

Recommended cut-out for Drop-in mounting: 15-1/2" (395) x 20-1/2" (522)

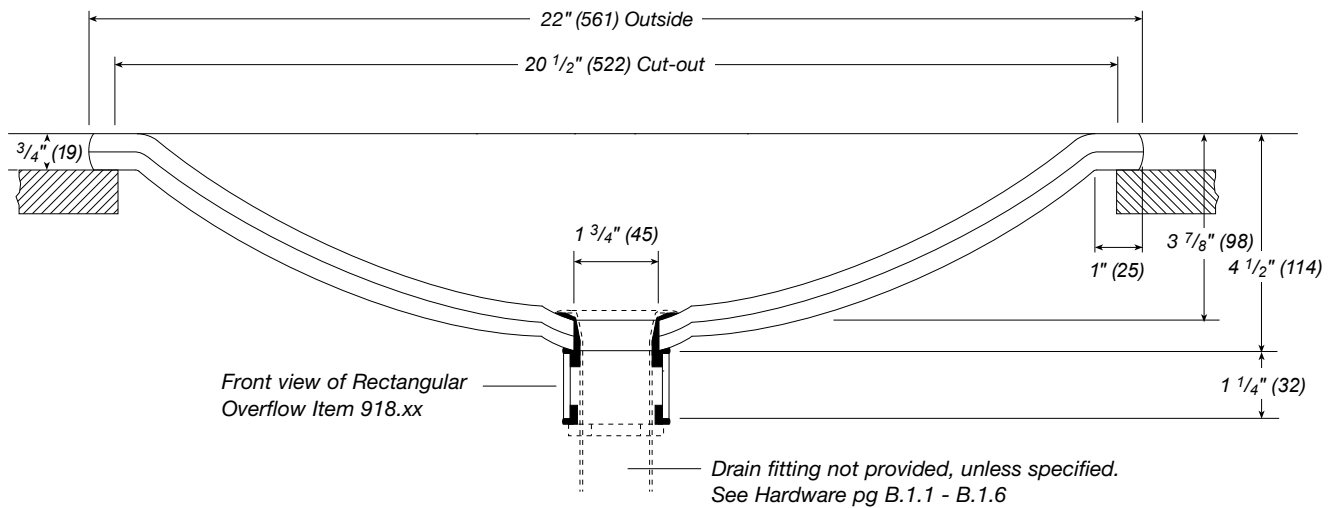
Drop-in installations for the 141 Basin are accomplished without a gasket and are available only in limited color and finish combinations. See page 1.1.2 Color & Finish Guide for these choices.

Available with or without overflow. See Hardware pg B.1.8 to order Rectangular Overflow, Item number 918.xx as a separate item with choice of metal finish.

 See page 1.1.f for general ADA guidelines. Contact factory for installation of this product to meet ADA guidelines in coordination with your faucet specification.



### Long Section (A)



### Short Section (B)

