


Standard Small Rectangular Basin without Overflow Item No. 141

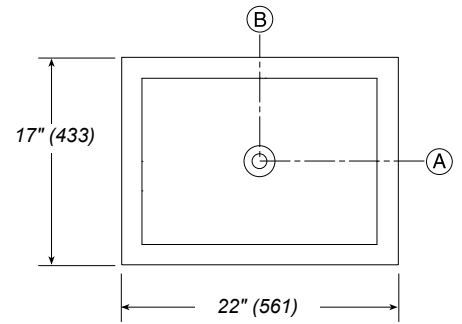
For Drop-in Installation

Recommended cut-out for Drop-in mounting: 15-1/2" (395) x 20-1/2" (522)

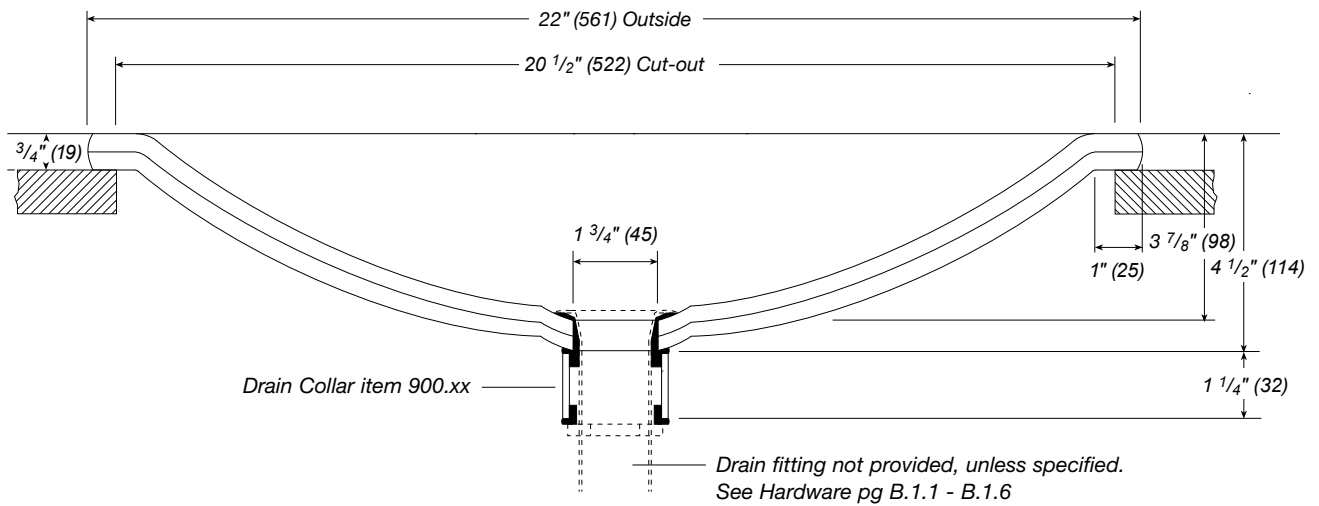
Drop-in installations for the 141 Basin are accomplished without a gasket and are available only in limited color and finish combinations. See page 1.1.2 Color & Finish Guide for these choices.

Available with or without overflow. For Basins ordered without Overflow, Drain Collar is *required* to install a drain fitting. See Hardware pg B.1.7 to order Drain Collar, Item number 900.xx as a separate item with choice of metal finish.

 See page 1.1.f for general ADA guidelines. Contact factory for installation of this product to meet ADA guidelines in coordination with your faucet specification.



Long Section (A)



Short Section (B)

