

G.N.2 Vanity Item No. VF7

Wood cabinet only. See page A.4.1 for standard veneer choices. Custom sizes and veneer options by quotation.

Order these glass components separately:

Freestanding Basin (see Section 3.0)

Countersink (see Section 4.0)

Countertop for Freestanding Basin (see Section 5.0)

Countertop for Rimless and Standard Basin (see Section 5.0)

For Minimum and Maximum Counter and Cabinet heights refer to table at right, and pgs B.2.5 - B.2.5.a for Installation of Two-part Leg. Order Two Part legs separately. Refer to General price list for prices and metal finish options.

Glass may be attached at wall using Channel at Back or Flush Clips. Surface Clips are not recommended.

Vitraform Cabinet pulls are optional. Refer to General price list for prices and metal finish options. For pulls "by other", specify hole size and drill location on Work Sheet page 7.1.w.

Counter and Cabinet Heights using Two-part Leg

Countersinks with Overflow

Countersinks with Overflow	Finished Counter Height
18" Cabinet with Overflow	Min: 33 5/8" Max: 35 3/4"
20" Cabinet with Overflow	Min: 35 5/8" Max: 37 3/4"

Countersinks without Overflow

18" Cabinet without Overflow	Min: 31 1/2" Max: 35 3/4"
20" Cabinet without Overflow	Min: 33 1/2" Max: 37 3/4"

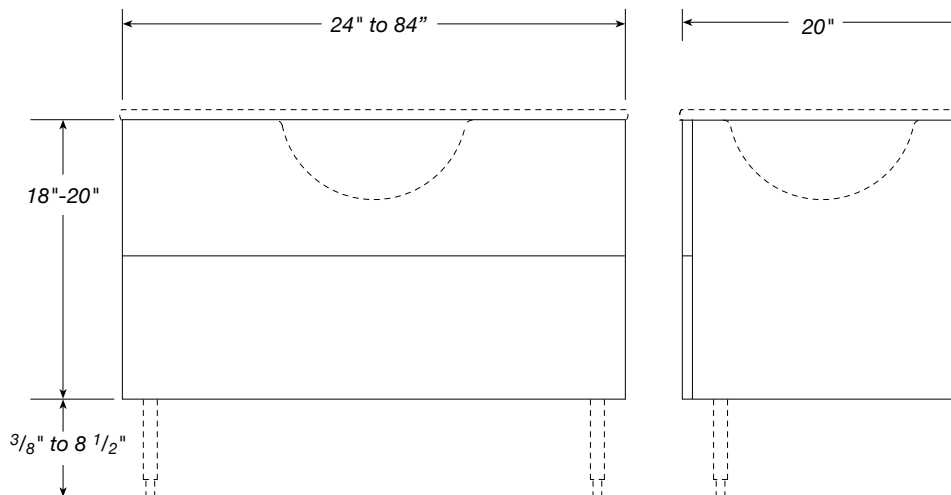
Freestanding Basin on Countertop

18" Cabinet (Overflow NA)	Min: 31 1/2" Max: 35 3/4"
20" Cabinet (Overflow NA)	Min: 33 1/2" Max: 37 3/4"

*Finished height of Countertop, add 6" to top of Basin.

FRONT VIEW

SIDE VIEW



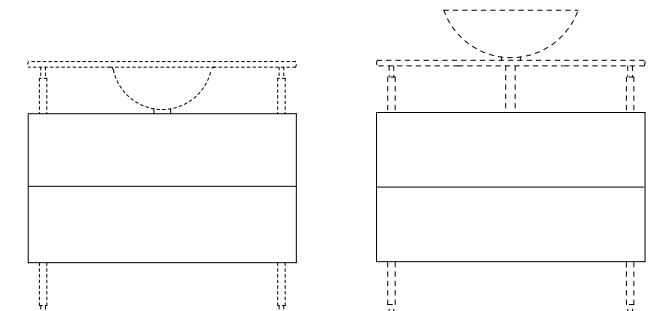
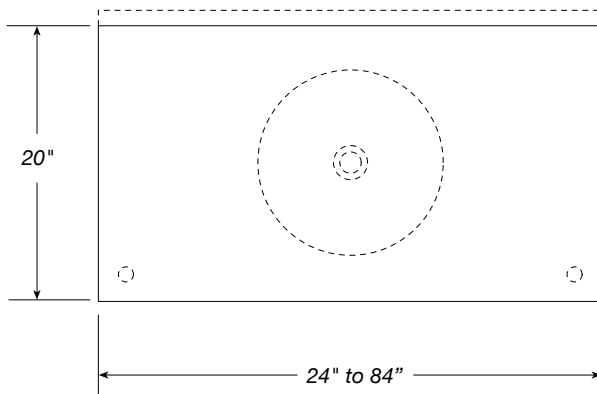
Shown above in 36" width.



Drawers

Widths 24" to 42" has 2 Drawers.
48" width can have 2 or 4 Drawers.
Widths 54" to 84" has 4 Drawers.

PLAN VIEW



Shown with Countersink and Two-Part Legs.

Shown with Countertop and Freestanding Basin and Two-Part Legs.