

## Round or Oval Mirror

**Round Mirror**      Item No. M100  
**Oval Mirror**        Item No. M150

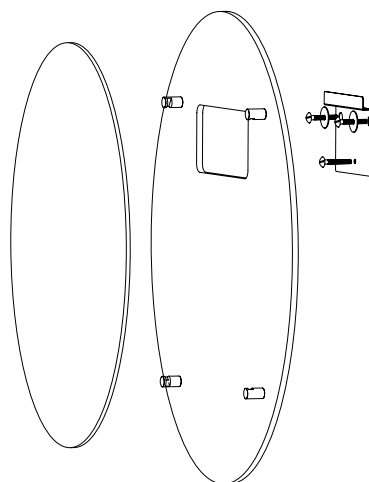
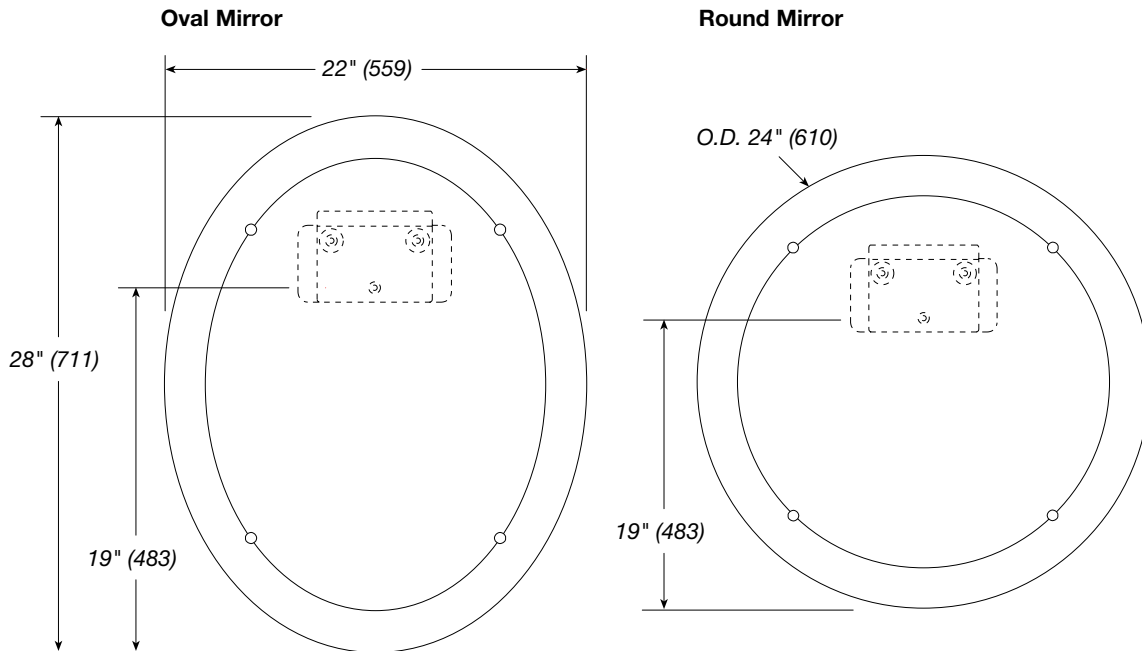
**NOTES:**

1/4" clear mirror front with single layer of any Vitraform glass color back.

**STANDARD SIZES:**

Round    24"  
 Oval     22" x 28"

Request quotation for custom size, shape or border size.  
 Hand engraved pattern or gilded finish to match Vitraform basins available by quotation.  
 See General price list for metal finish options.



**NOTE:** Provide blocking behind wall for sturdy installation.

## Square or Rectangular Mirror

**Square Mirror**

Item No. M175

**Rectangular Mirror**

Item No. M170

**NOTES:**

1/4" clear mirror front with single layer of any Vitraform glass color back.

**STANDARD SIZES:**

Square 24" x 24"

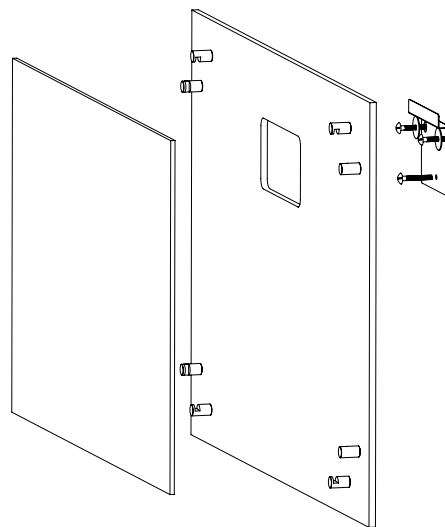
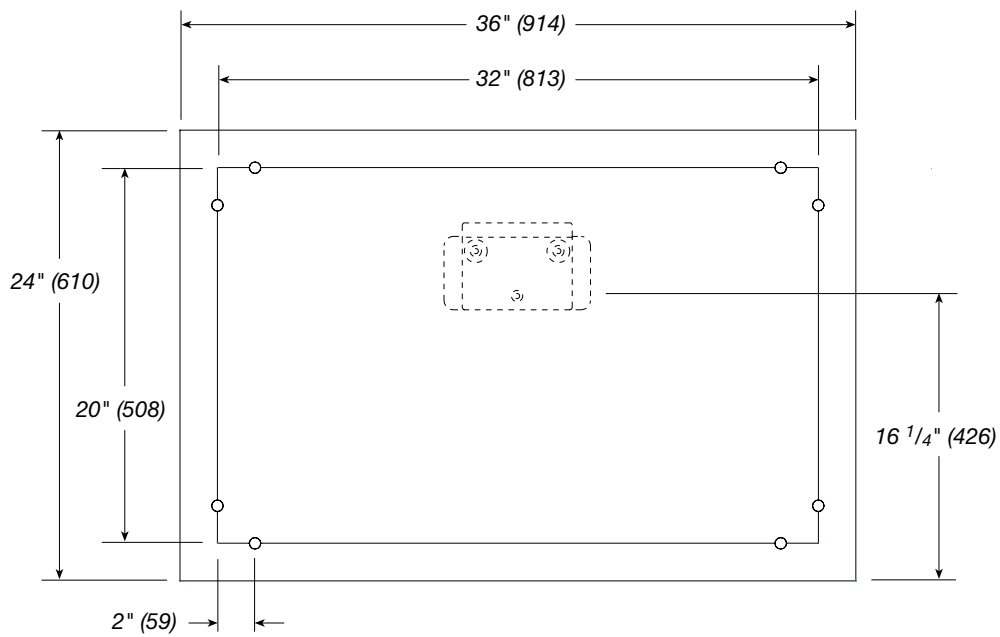
Rectangular 36" x 24"

Request quotation for custom size, shape or border size.

Hand engraved pattern or gilded finish to match Vitraform basins available by quotation.

See General price list for metal finish options.

**Rectangular Mirror**



**NOTE:** Provide blocking behind wall for sturdy installation.

### Mirror Installation Instructions

Please provide these instructions to contractor at point of sale.

*Our glass products are very strong, but are sensitive to hard object impact, extreme changes in temperature and high mechanical stress. Most damage to this product occurs during installation due to improper handling or over tightening of the hardware.*

### Handling

Glass is best handled and transported in a vertical orientation which also applies to carrying the product while installing. While installing, care should be taken to evenly support the glass to avoid over stressing it. This glass is most vulnerable at its edge and at holes and cut-outs so try to lay flat during assembly on a clean soft material such as carpet or foam rubber.

### Protective Plastic Film

The product is shipped from the factory with a temporary protective plastic film on all surfaces. It is best to leave this protective film on the glass, peeling back only enough area for installation, and only removing it when the bathroom is finally ready to be used. This plastic is intended to prevent light abrasions during shipping but will not protect against severe abrasions that can occur on a construction site. It is the responsibility of the installer to add additional protection if necessary. It is our recommendation that due to the fragility of our product that it be the last component in the bathroom to be installed.

### Assembly

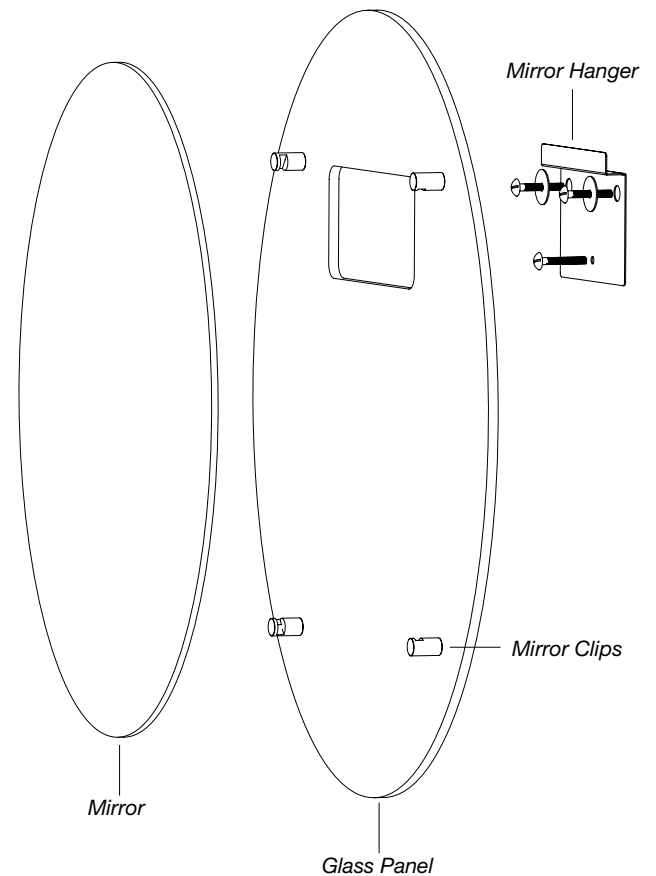
Mirrors are shipped assembled. In the event the mirror needs to be disassembled and re-assembled follow these instructions. Loosely attach MIRROR CLIPS with appropriate hardware to glass panel, but leave one clip off so that mirror can be slid into clips. Once mirror is in place, attach last clip to backing glass to secure mirror. Carefully and evenly tighten clip screws to complete the assembly.

### Hanger Attachment

Locate hanger placement by measuring cut-out on back glass relative to final position. While holding hanger in place, mark (3) hole placements on wall. The center attachment hole is intended to be used as a swivel while the two outer larger holes will allow about 5 degrees of rotation with #14 screws. Attach and level hanger to wall using appropriate hardware for wall surface. Hang mirror assembly in final position by carefully placing cut-out on back glass up and over hanger.

### Cleaning

We recommend the use of common ammonia or alcohol based glass cleaners such as Windex applied with a clean soft cotton rag. Never use abrasive cleansers or paper towel which will



scratch the surface of the glass.

**Mirror**

This Worksheet is provided for your convenience.

Please refer to the current Vitraform General Price List to build a complete item number and price for this product.

P.O. No: \_\_\_\_\_ Date: \_\_\_\_\_ Sales Person: \_\_\_\_\_ Tel: \_\_\_\_\_ Ext: \_\_\_\_\_

<b>Mirror Order</b>	<b>Quantity:</b> _____ Please use additional Order Forms for non-identical orders.							
	Order No:	_____	_____	_____	_____			
		<b>A</b>	<b>B</b>	<b>C</b>	<b>D</b>	<b>E</b>		
	Price: \$	_____	NA	NA	NA	_____	TOTAL \$	_____

<b>Custom Options</b>	<b>Custom Size Mirror</b>
	Size: enter exact dimensions below
	Width: _____ Depth: _____
	Width of Border: _____
	Engraving: _____
	Custom Shape: attach rough drawing

<b>Net Crating Charge</b>	\$110.00 Up to four mirrors may be crated together. Request prices from factory for custom or oversized mirrors.
---------------------------	--