

## Glass Rod Pedestal

Complete Glass Rod Pedestal with Towel Bar

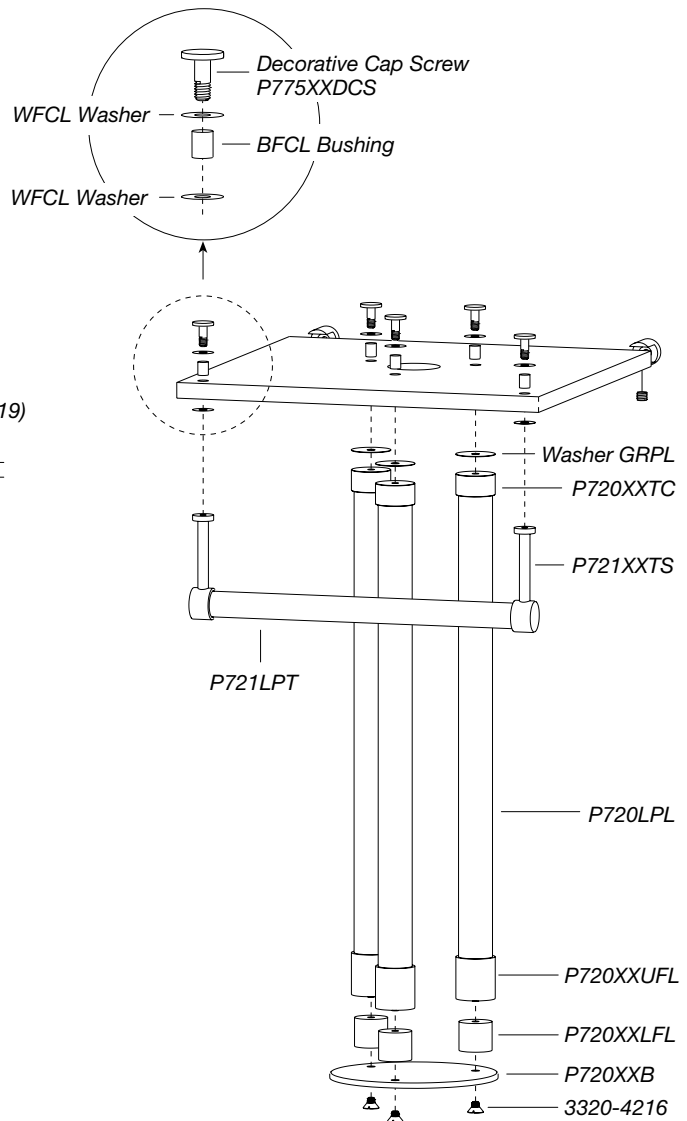
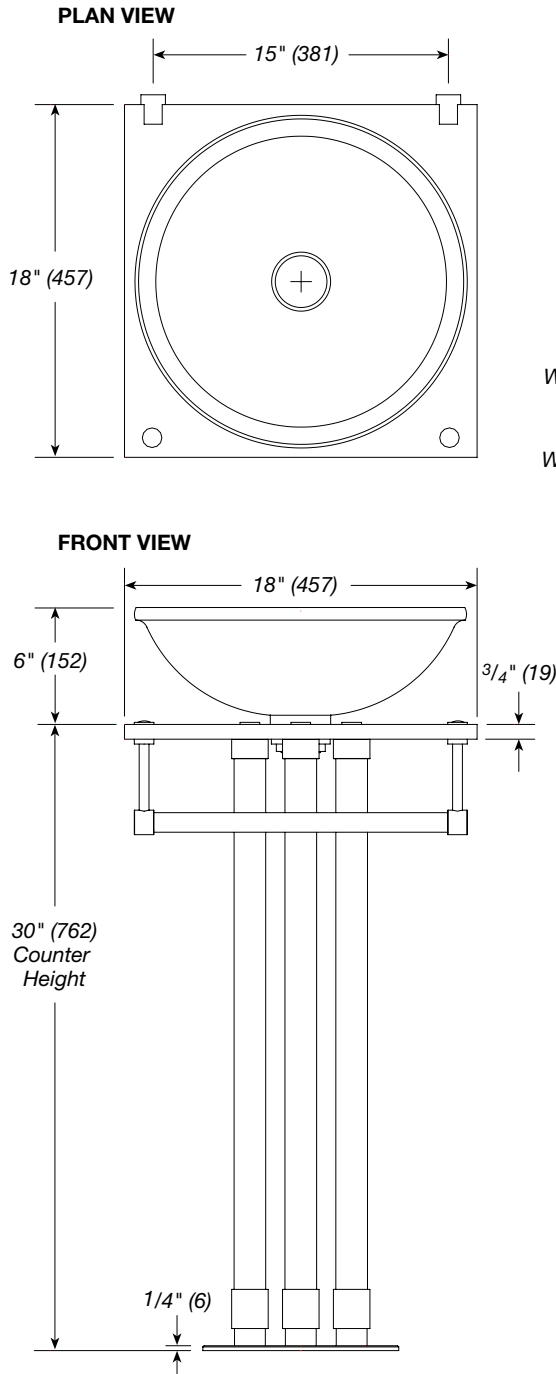
Item 721.XX

### NOTES:

For use with Vitraform Freestanding Basins only.  
For wall mount faucets only, specify spout projection.

Includes Pedestal Base, Basin, Drain Set, Countertop, Towel Bar and support at wall.

Any variation in size, height or color or style of Basin or Counter may be accommodated. Contact factory for quotation.



## Glass Rod Pedestal Installation Instructions

Please provide these instructions to contractor at point of sale.

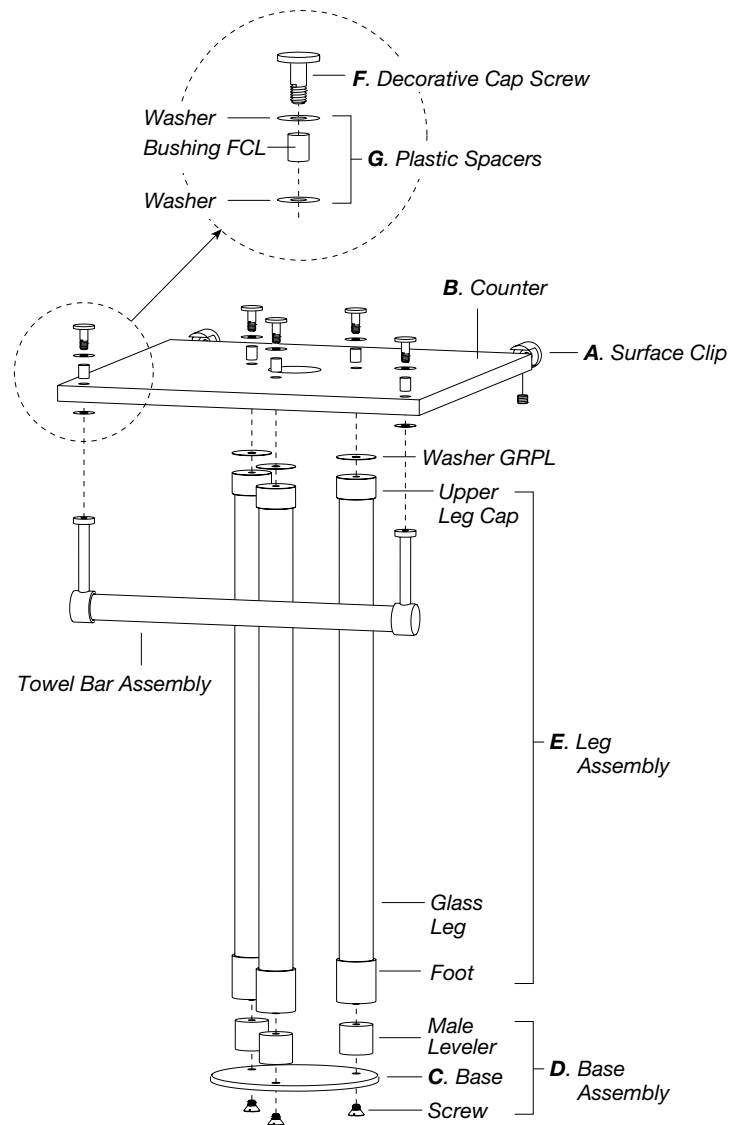
**1. Surface Clip installation:** Mark and drill (2) holes on wall for **Surface Clips A**. The center of these holes should be located 1" in from the left and right sides of the **Counter B**; if the Counter is 18" wide then the clips should be 16" from center to center and are centered 29 5/8" above the finished floor. Install **Surface Clips A** using appropriate hardware for wall surface. This will set the COUNTER TOP HEIGHT at 30".

**2. Base location and installation:** The **Base C** will be attached to the floor using Clear Silicone Adhesive. It is important to establish the correct location and orientation of the Base prior to gluing it to the floor (working time for Clear Silicone can be as little as 30 minutes). Place a small dab of clear silicone roughly in the center of the bottom of the Base. Place **Base Assembly D** (shipped assembled) on floor on its approximate final location. Rotate the **Base Assembly D** to position the legs as shown **Plan View Drawing**. Screw **Leg Assemblies E** onto **Base Assembly D**. Adjust **Leg Assemblies E** so that their tops are 29 1/4" above the floor. BE CAREFUL NOT TO APPLY PRESSURE SIDEWAYS TO GLASS LEG ASSEMBLIES PRIOR TO TOP ATTACHMENT.

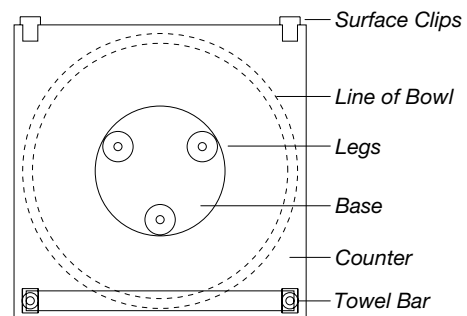
**3. Glass Counter attachment:** Lower **Glass Counter B** on to **Leg Assemblies E**. Attach Counter to Leg Assemblies using **Decorative Cap Screws F** and **Plastic Spacers G** and at the same time checking, leveling and straightening the legs. Leave the screws a little loose so that the legs can be finely adjusted later. Slide Glass Counter and base into wall mounted Surface Clips making sure to move the entire Base Assembly carefully. This is an awkward process and requires patience and precision to get all components aligned and tightened. Once all components are positioned correctly tighten all the hardware so everything is secure. Clean up any excess silicone that has pushed from under the base.

**4. Attach Towel Bar Assembly** similarly to attachment of legs in Procedure #3 above.

**5. Install Freestanding Sink and Drain Assembly** as described in instructions supplied with those items.



### PLAN VIEW



**Care for the Vitraform Glass Sink:** Use commercial glass cleaners sprayed onto a soft cloth to clean glass surface(s). Wipe basin dry after use to avoid mineral deposits on glass left by water spots. For frosted glass, special attention to stubborn stains or adhesives may be required. Silicone or other adhesives may be impossible to remove from frosted finishes. If contamination occurs attempt to remove adhesive with glass cleaner first, then denatured alcohol, paint thinner or mineral spirits. If none of these solvents work, the stain might be removed by re-blasting the bowl. Contact the factory for authorization to return the product for evaluation. A return authorization must accompany the product. Please pack the sink in the original box or other proper packing to assure its safe return and insure for full value. **Care for metal fittings and plated finishes:** Wipe metal fittings dry after use to avoid water spots. Glass cleaner used on the Vitraform Glass Sink may be damaging to metal finishes. Use a diluted, neutral, liquid soap and a soft cloth to clean metal fittings. Never use an abrasive cloth or scouring pad.