

Pullman Pedestal

Complete Pullman Pedestal Item 723.XX

NOTES:

Includes: Basin, Curved Glass Panels, base foot, choice of fittings for installation with or without Overflow hardware, drain and Siphon.

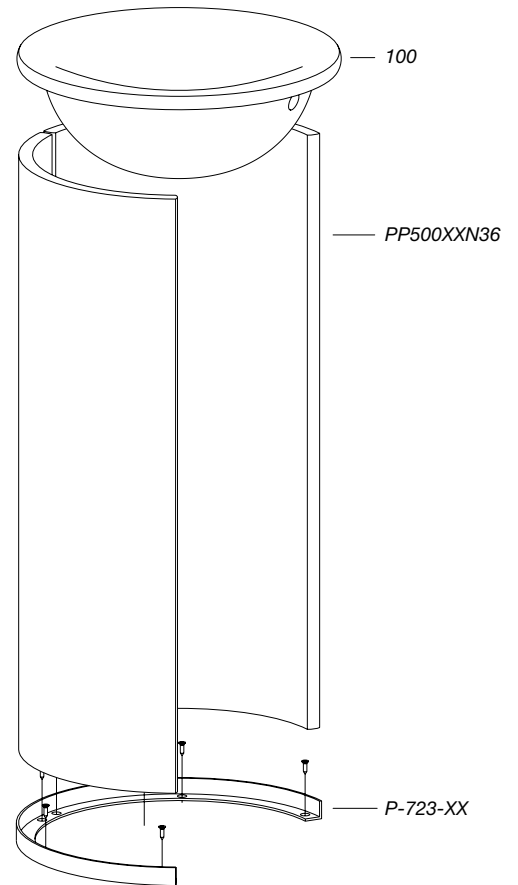
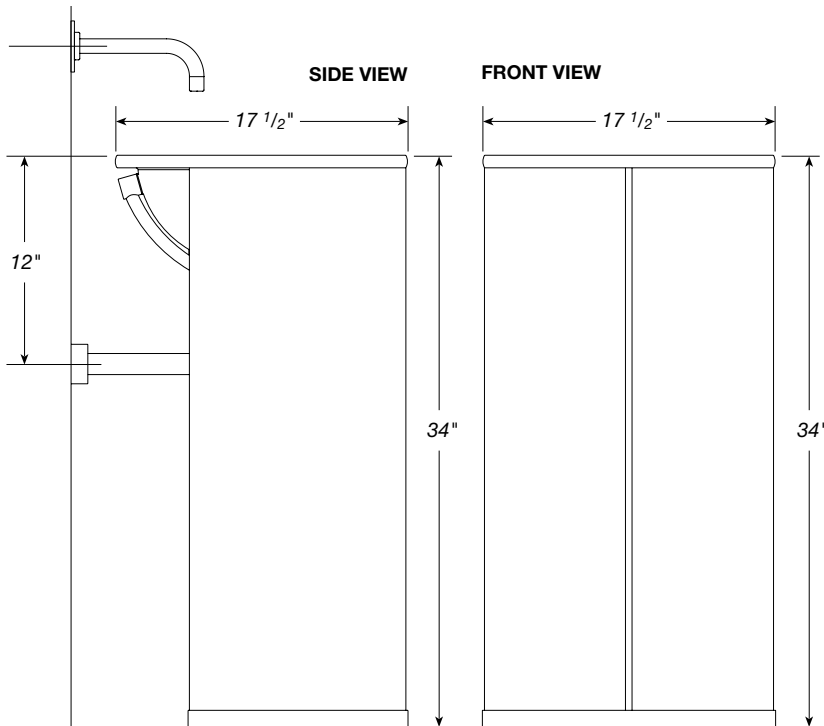
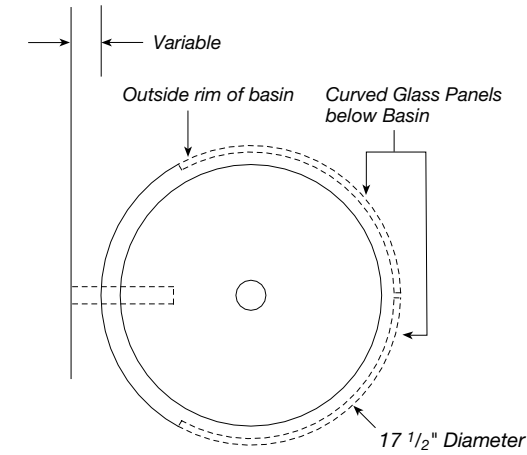
FINISHES:

Vitraform recommends White lamination, Mirror finish or Satin Etched finish which conceal silicone attachment of bowl to curved pedestal panels.

Bronze, Grey, Black, Cobalt and Blue glass colors in Polished finish are dense enough to conceal adhesive. For all other glass colors with polished finish, request assistance from factory for installation.

Frosted finish is not offered for the Pullman product.

For use with wall or floor mounted faucets.



Pullman Pedestal Installation Instructions Using Supplied Clamps Page 1 of 2

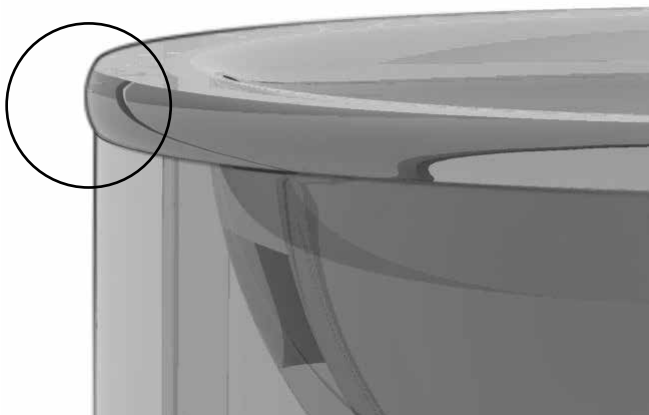
Please provide these instructions to contractor at point of sale.

You are attempting a difficult installation which requires specific skills used in the frameless shower enclosure industry. It is our recommendation that only someone possessing those skills attempt this installation

THE MOST IMPORTANT FIRST STEP FOR A PROPER INSTALLATION IS TO FOLLOW THE INSTRUCTIONS FOR INSTALLING THE BASE FOOT TO THE FLOOR. THE PRODUCTION OF THE BASE FOOT CREATES SPRING IN THE METAL THAT REQUIRES THE INSTALLER TO MAKE THE BASE FOOT MATCH THE CURVE OF THE SUPPORTING GLASS PANELS. THIS IS ACCOMPLISHED BY DRILLING THE HOLES IN THE FLOOR USING THE SUPPLIED HOLE DRILLING TEMPLATE WHICH FORCES THE BASE FOOT TO MATCH THE CORRECT DIAMETER OF THE CURVED GLASS PANELS.

- 1. Locate pedestal installation:** Establish the exact location of the pedestal based upon center line of the sink and distance from wall which will be determined by the spout projection of the chosen faucet. The outlet of the drain should also be centered in line with the wall spout. Tape the supplied paper hole drilling template in its correct location and drill holes according to template. Remove template and attach Base Foot to floor using appropriate hardware for flooring material. If floor is uneven, Base Foot must be shimmed to flatness.
- 2. Dry run mock-up:** We recommend the installer mock up the installation described in step 3 without adhesive to make sure all components mate correctly before glass is secured with adhesive. Use extreme care when mocking up glass to avoid chipping. The intended fit is for the outside of the Curved Glass Panels to line up with the flat bottom surface of the sink as shown in **Illustration A**, NOT the outside diameter of the edge of the sink. If the sink and Curved Glass Panels do not line up, the Base Foot may not have been properly installed. Once it has been determined that everything fits, go onto step 3.
- 3. Curved Glass Panel assembly with Silicone:** After mocking up without silicone, carefully remove the Curved Glass Panels without allowing them to touch each other to avoid chipping.

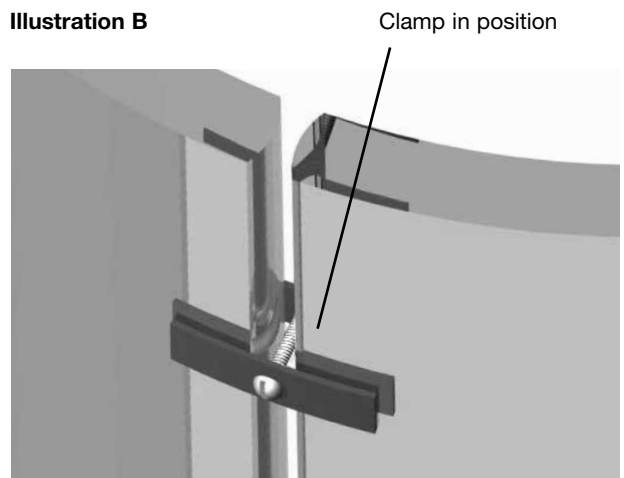
Illustration A



Apply a 3/16" (5mm) bead of supplied Clear Silicone at the inside angle of the Base Foot and place one of the Curved Glass Panels into its appropriate location. While helper holds the first panel in position, carefully place the second panel into position without contacting the first panel. Place the two supplied clamps about 4" (100mm) from the bottom and top of the panels allowing both Panel edges to butt to the plastic clamp screws as shown in **Illustration B**. Tighten plastic screw to hold Panels in proper position with even space between them. DO NOT at any point apply silicone to the space between the two Panels.

- 4. Check fit of sink to Panels without Silicone:** Check the fit of the assembly at this point by carefully placing sink onto Curved Glass Sections to see that the Panels are correctly placed according to **Illustration A** and proceed with attachment of sink.
- 5. Attachment of Sink to Panels:** Remove the sink and apply supplied Clear Silicone to the top of the Curved Glass Panels in an even 3/16" (5mm) bead. Replace the sink onto the Curved Glass Panels, aligning sink and panels as shown in **Illustration A**. Use 4 strips of masking tape, each starting inside the sink and running over the lip to the outside of the Panels. This will hold sink in place until the Clear Silicone sets (about 24 hours). Do not attempt to remove excess Clear Silicone at this point. Silicone is much easier to clean once it has cured.
- 6. Install faucet and drain:** Once the Silicone is cured you may install the Faucet trim. Refer to **Vitraform installation instructions page C.6.b** to install Overflow or Drain Collar and drain fittings to the sink.
- 7. Clean up:** Remove Clamps. Clean excess silicone with sharp single edged razor blade carefully avoiding scratches to the glass. Finish installation by using denatured alcohol or glass cleaner on glass parts and non abrasive mild detergent on metal fittings.

Illustration B



Installation Instructions: Standard Basin for Pullman Pedestal with or without Overflow Page 2 of 2

Please provide these instructions to contractor at point of sale.

CAUTION: This sink is made of glass. It is very strong, but sensitive to hard object impact, extreme change in temperature and high mechanical stress. Most damage to this product occurs during installation. Please follow installation instructions carefully. VITRAFORM sinks are intended and Warranted for Lavatory use only.

Installation of Overflow or Collar to Pullman Pedestal Basin

Install Overflow or Drain Collar included with your order. Sink should be attached properly to Pullman Curved Glass Panels according to instructions on page B.6.a. Assembly of Pedestal must be allowed to cure 24 hours before attempting to install Faucet trims, Overflow or Drain Collar.

Option 1: Installation with Overflow

Hardware supplied

- | | |
|------------------------|-------------------|
| A. Rubber Sink Grommet | E. Rubber Washers |
| B. Overflow Nipple | F. Lower Collar |
| C. Hex Tool | G. O-ring |

D. Upper Tube

Installation

1. Install **Rubber Grommet A** by fitting it into and around the drain hole with the thin lip inside the bowl and the remainder below the basin. The bottom of the **Rubber Grommet** will fit into the top of the **Overflow or Overflow Collar B**.
2. Insert **Overflow Nipple B** and **Rubber Washers E** into overflow hole of sink and partially start threads into **Upper Tube D** while aligning **Lower Collar F** with **Rubber Sink Grommet A**.
3. Using **Hex Tool C** lightly tighten **Overflow Nipple B**.

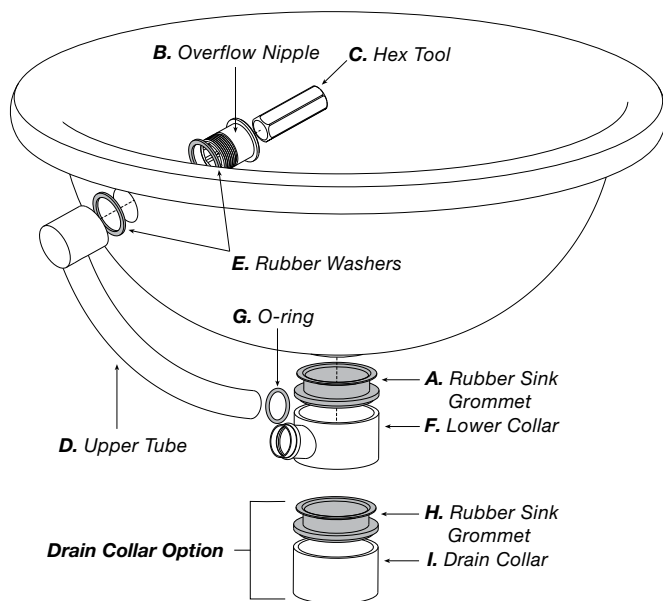
Option 2: Installation without Overflow

Hardware supplied

- | |
|------------------------|
| H. Rubber Sink Grommet |
| I. Drain Collar |

Installation

1. Insert lip of Rubber Sink Grommet H into drain hole of sink.
2. Mate Overflow Collar I with Rubber Sink Grommet H.



Drain Installation

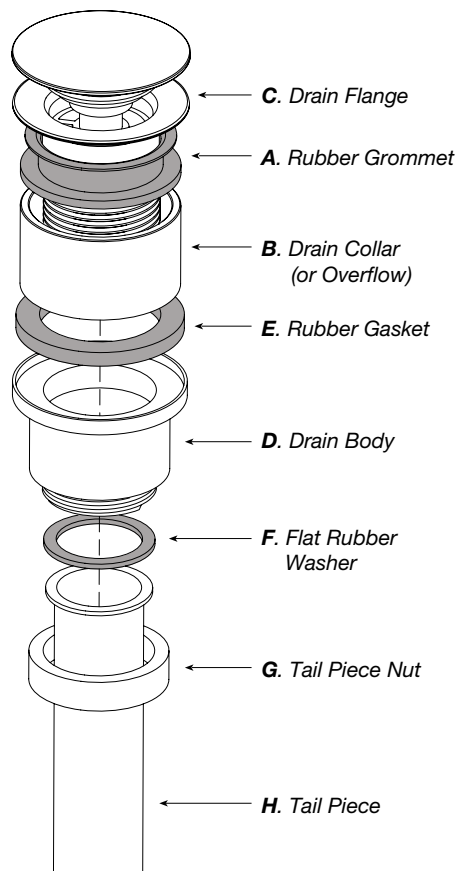
A good, water tight seal is achieved by hand tightening. The use of Teflon Tape or Plumber's Putty is NOT recommended on any part of this installation.

Hardware Supplied

- | | |
|--------------------------------|-----------------------|
| A. Rubber Grommet | E. Rubber Gasket |
| B. Overflow or Overflow Collar | F. Flat Rubber Washer |
| C. Drain Flange | G. Tail Piece Nut |
| D. Drain Body | H. Tail Piece |

Instructions for use with Vitraform Standard Basins on Pullman Pedestal using Overflow or Drain Collar:

1. With **Rubber Grommet A** installed into and around the drain hole with the thin lip inside the bowl, insert **Drain Flange C** into drain hole of sink while holding **Overflow or Collar B** in place over bottom of **Grommet A** below sink.
2. Screw on **Drain Body D** and align with properly seated **Rubber Gasket E** onto Drain Flange.
3. **HAND TIGHTEN** so that the assembly is held firmly making sure drain, grommet and overflow or collar are centered.
4. Cut **Tail Piece H** to appropriate length and attach to **Drain Body** using **Flat Rubber Washer F** and **Tail Piece Nut G**.
5. Install **P-trap or European Siphon**.



Care for the Vitraform Glass Sink: Use commercial glass cleaners sprayed onto a soft cloth to clean glass surface(s). Wipe basin dry after use to avoid mineral deposits on glass left by water spots. **Care for metal fittings and plated finishes:** Wipe metal fittings dry after use to avoid water spots. Glass cleaner used on the Vitraform Glass Sink may be damaging to metal finishes. Use a diluted, neutral, liquid soap and a soft cloth to clean metal fittings. Never use an abrasive cloth or scouring pad.