



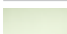










**Color & Finish Guide** for Items: 203, 213, 253, 263

**Choose a combination of Glass Color and Glass Finish for this item using the table below.**  
Please contact the Factory for additional support or possibilities for custom combinations.

		STEP 3 GLASS FINISHES								
		Non-Engraved	Engraved				Gilded			
		Code	Empire Floral Victorian Deco Tulip Tulip Border Traditional Roman	1930 Battuto Confetti Tebori Arabesque Palmier	1960 Fine Lines Bamboo Zebra	Moderne**	Entre Deux*** Eolienne*** Emboss***	Cubiste Matte Vapeur	Fragment Graphique	
STEP 1 GLASS COLOR	 White	W	†	P	/	P	/	-	-	-
	 Clear	C	PFSMO	PF	P	PF	PF	-	-	-
	 Starphire	S	PFSMO	PF	P	PF	PF	M	-	-
	 Cristal	L	PFSMO	PF	P	PF	PF	-	-	-
	 Cristal Antique	Q	PM	P	/	/	/	-	RW	-
	 Solex	X	PFSMO	PF	P	PF	PF	-	-	-
	 Azurlite	A	PFSMO	PF	P	PF	PF	-	-	-
	 Blue	B	PFSMO	PF	P	PF	PF	-	-	-
	 Cobalt	T	PFS	/	/	/	/	-	-	-
	 Grey	G	PFSMO	PF	P	PF	PF	-	-	-
	 Black	K	PF	/	/	/	/	-	-	RW
	 Bronze	Z	PFSMO	PF	P	PF	PF	-	-	-
	 Peach	P	PFSMO	PF	P	PF	PF	-	-	-

### STEP 2 GLASS FINISHES & KEY

- P Polished \*
- F Frosted
- S Satin Etched
- M Mirror
- O White Lamination
- S+M Satin Etched+Mirror (Contact factory for dual finish on specific colors)
- S+O Satin Etched+White Lami (Contact factory for dual finish on specific colors)
- R Rose Gold
- W White Gold

- Not Available: Contact factory for colors shown as not available for Gilded Finishes.
- † Not Available: Substitute Starphire White Lami for White glass.
- / Not Available: This glass color not available with this style choice.
- \* Polished finish not recommended for Vanity install.
- \*\* Not Available on oval basins.
- \*\*\* Entre Deux, Eolienne and Emboss engraving available on Starphire Mirror only. Contact factory for information on other glass colors.


**NOTES** See dedicated pages for options with Gilded finishes.

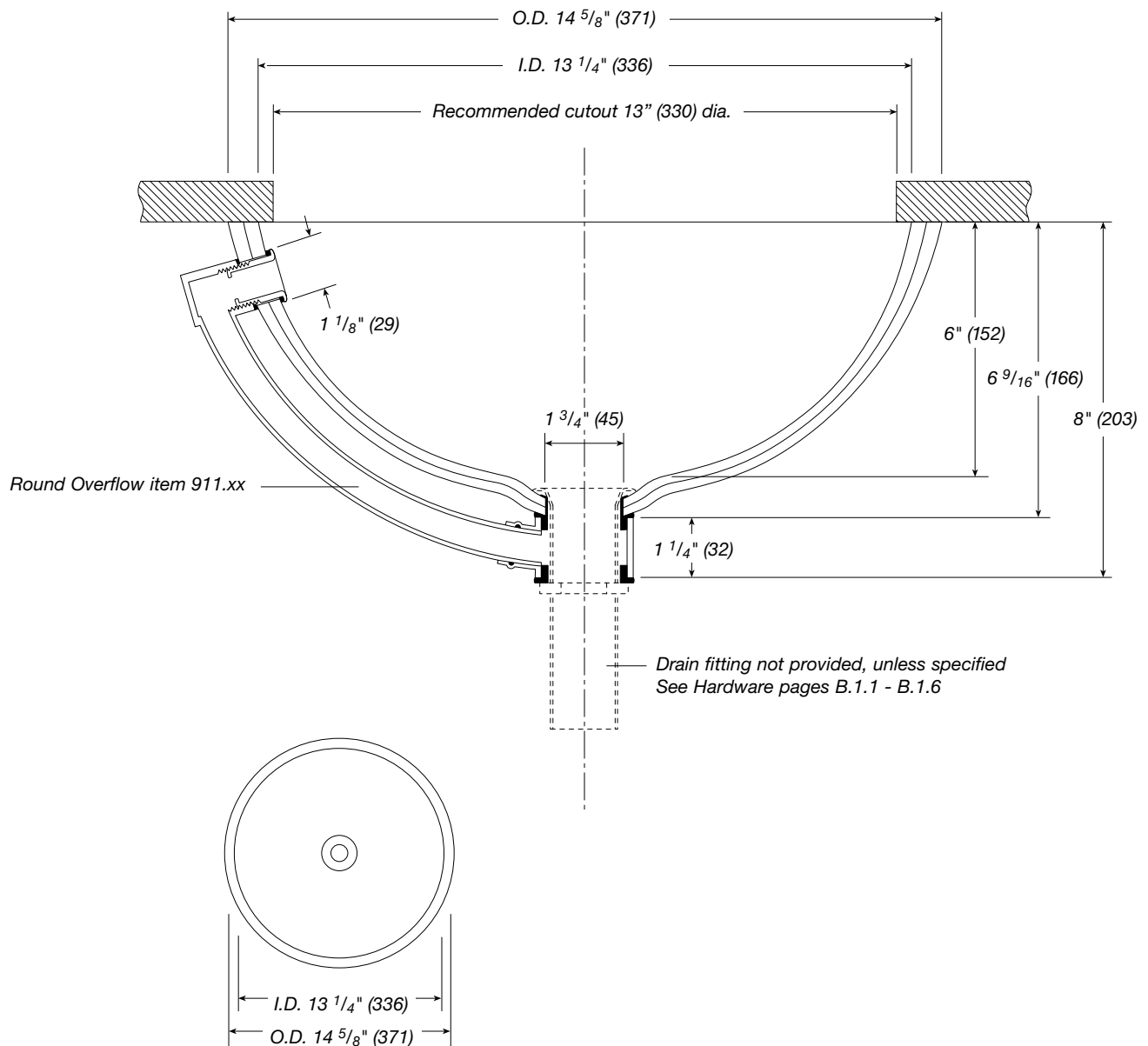
**Small Round Rimless Undermount Basin with Overflow** Item No. 203

**For Undercounter Mount Installation**

Recommended cutout opening for Under Counter mounting: 13" (330) dia.  
 Basin O.D. 14 5/8" (371)  
 Basin I.D. 13 1/4" (336)

Available with or without overflow.  
 See Hardware pg B.1.8 to order Round Overflow, Item number 911.xx as a separate item with choice of metal finish.

 See page 2.1.c for general ADA guidelines. Contact factory for installation of this product to meet ADA guidelines in coordination with your faucet specification.




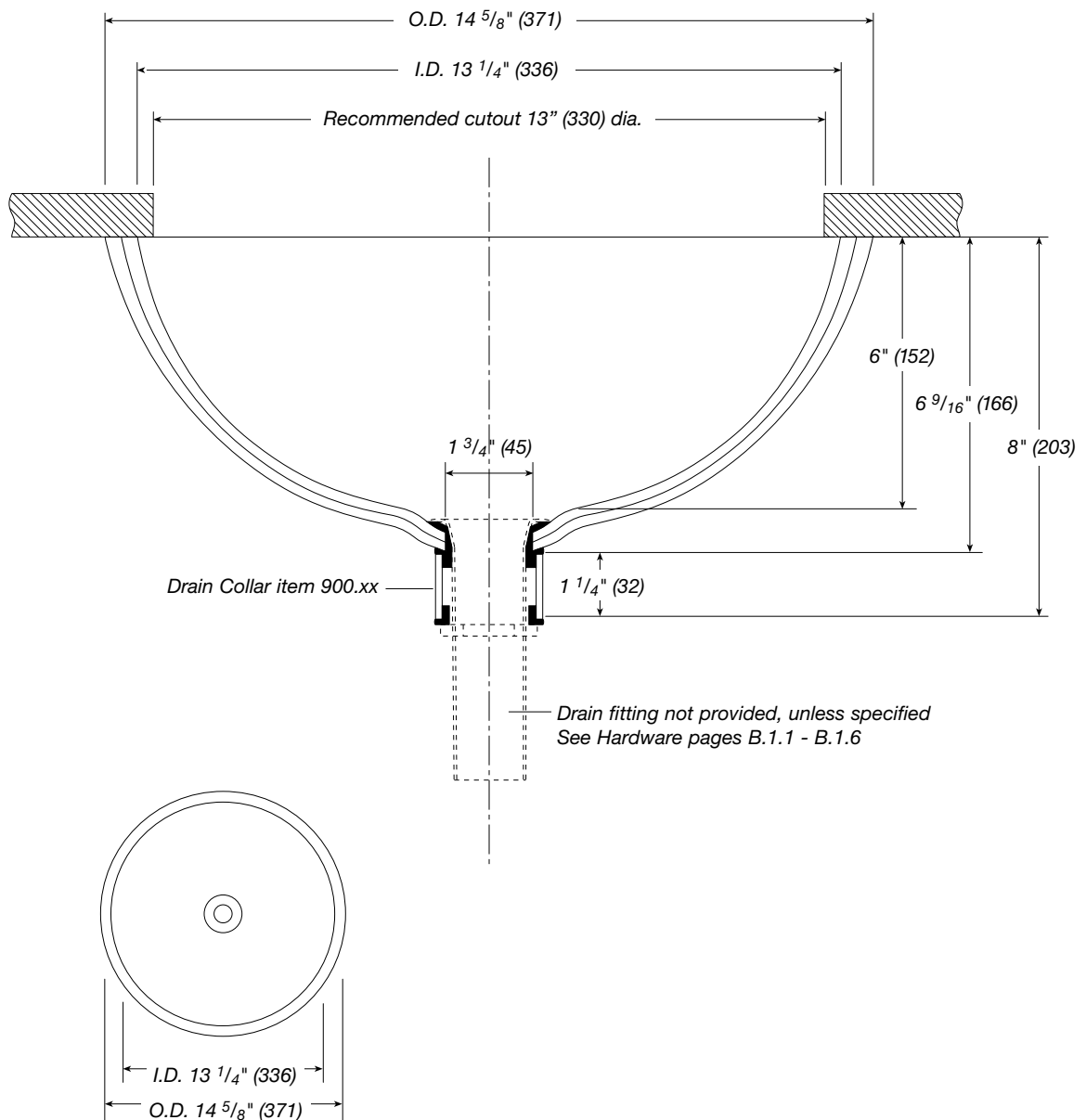
**Small Round Rimless Undermount Basin without Overflow** Item No. 203

**For Undercounter Mount Installation**

Recommended cutout opening for Under Counter mounting: 13" (330) dia.  
 Basin O.D. 14 5/8" (371)  
 Basin I.D. 13 1/4" (336)

Available with or without overflow.  
 For Basins ordered without Overflow, Drain Collar is *required* to install drain.  
 See Hardware pg B.1.7 to order required Drain Collar, Item number 900.xx as a separate item with choice of metal finish.

 See page 2.1.c for general ADA guidelines. Contact factory for installation of this product to meet ADA guidelines in coordination with your faucet specification.




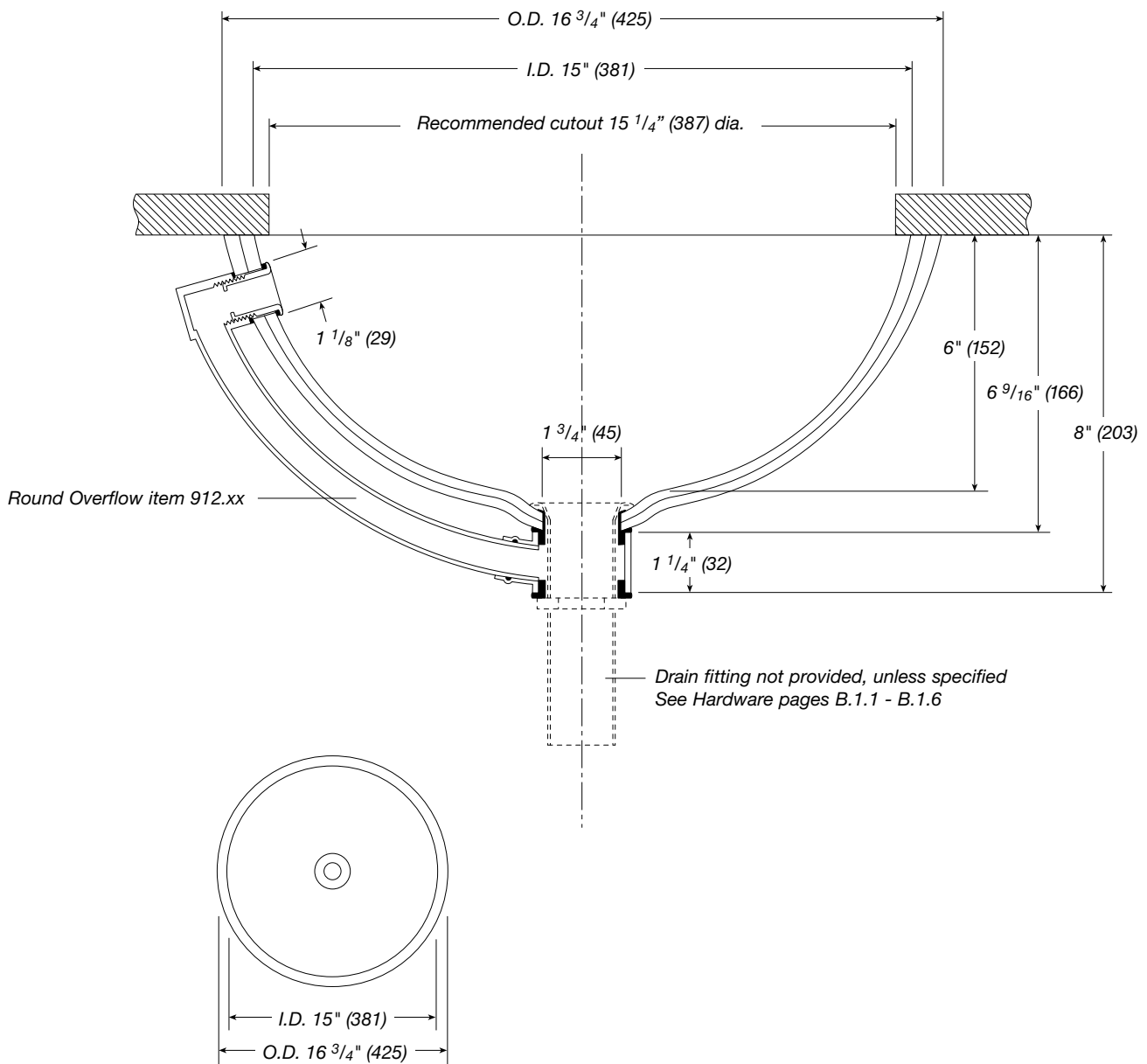
## Large Round Rimless Undermount Basin with Overflow Item No. 213

### For Undercounter Mount Installation

Recommended cutout opening for Under Counter mounting: 15" (381) dia.  
 Basin O.D. 16 3/4" (425)  
 Basin I.D. 15" (381)

Available with or without overflow.  
 See Hardware pg B.1.8 to order Round Overflow, Item number 912.xx as a separate item with choice of metal finish.

 See page 2.1.c for general ADA guidelines. Contact factory for installation of this product to meet ADA guidelines in coordination with your faucet specification.




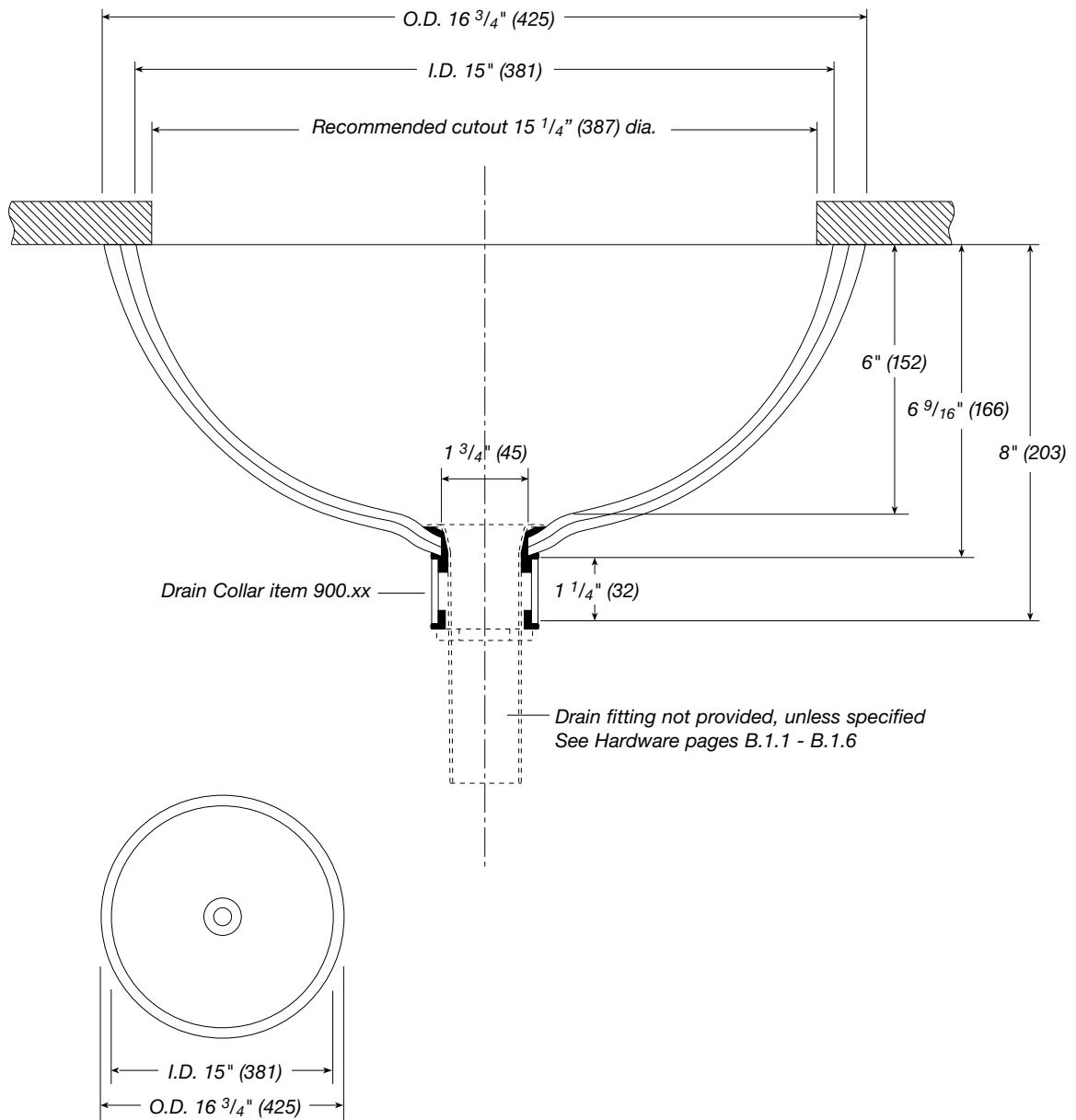
## Large Round Rimless Undermount Basin without Overflow Item No. 213

### For Undercounter Mount Installation

Recommended cutout opening for Under Counter mounting: 15" (381) dia.  
 Basin O.D. 16 3/4" (425)  
 Basin I.D. 15" (381)

Available with or without overflow.  
 For Basins ordered without Overflow, Drain Collar is *required* to install drain.  
 See Hardware pg B.1.7 to order required Drain Collar, Item number 900.xx as a separate item with choice of metal finish.

 See page 2.1.c for general ADA guidelines. Contact factory for installation of this product to meet ADA guidelines in coordination with your faucet specification.




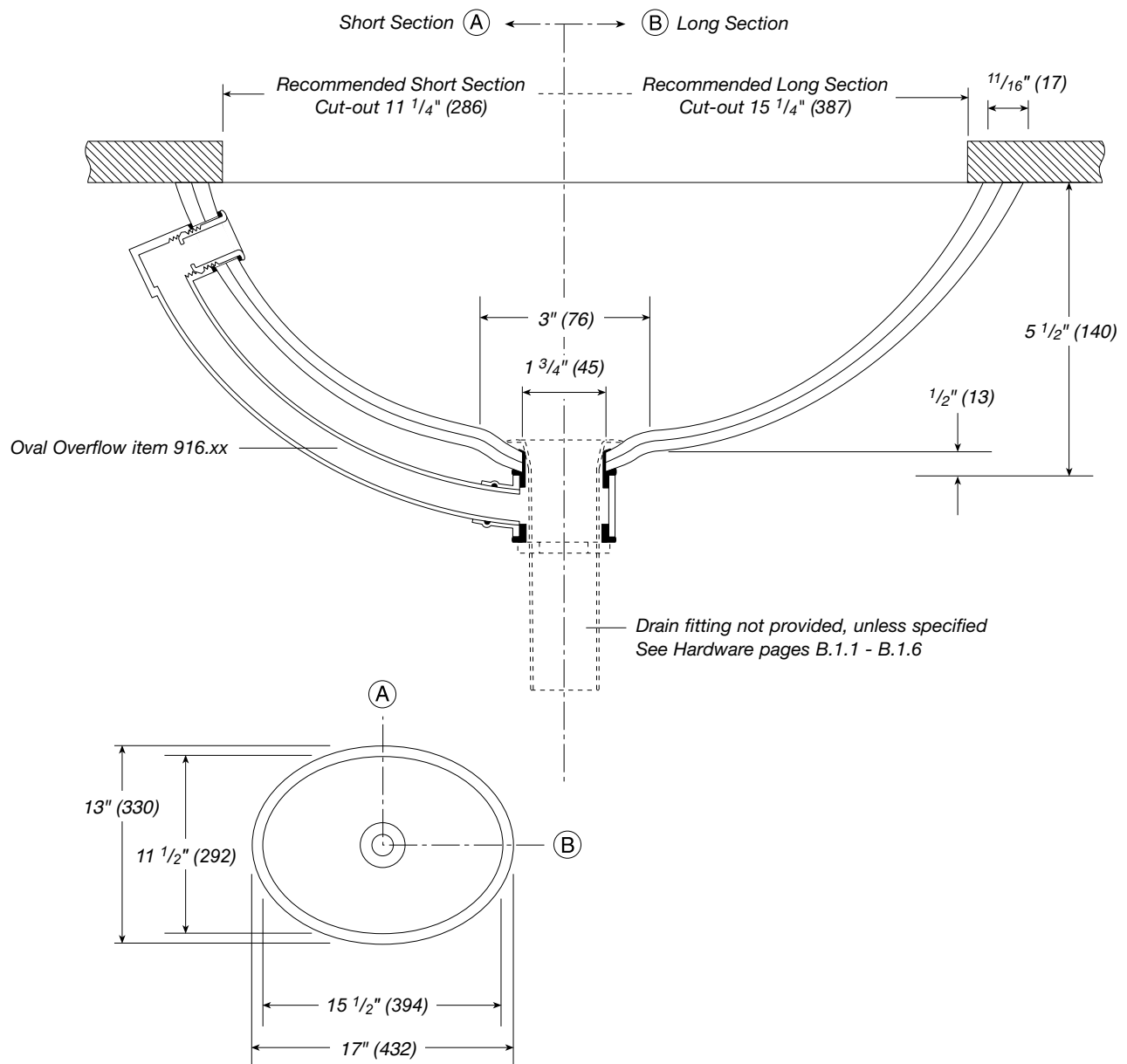
## Small Oval Rimless Undermount Basin with Overflow Item No. 253

### For Undercounter Mount Installation

Recommended cutout opening for Under Counter mounting: 11 1/4" (286) x 15 1/4" (387)  
 Basin O.D. 13" (330) x 17" (432)  
 Basin I.D. 11 1/2" (292) x 15 1/2" (394)

Available with or without overflow.  
 See Hardware pg B.1.8 to order Oval Overflow, Item number 916.xx as a separate item with choice of metal finish.

 See page 2.1.c for general ADA guidelines. Contact factory for installation of this product to meet ADA guidelines in coordination with your faucet specification.




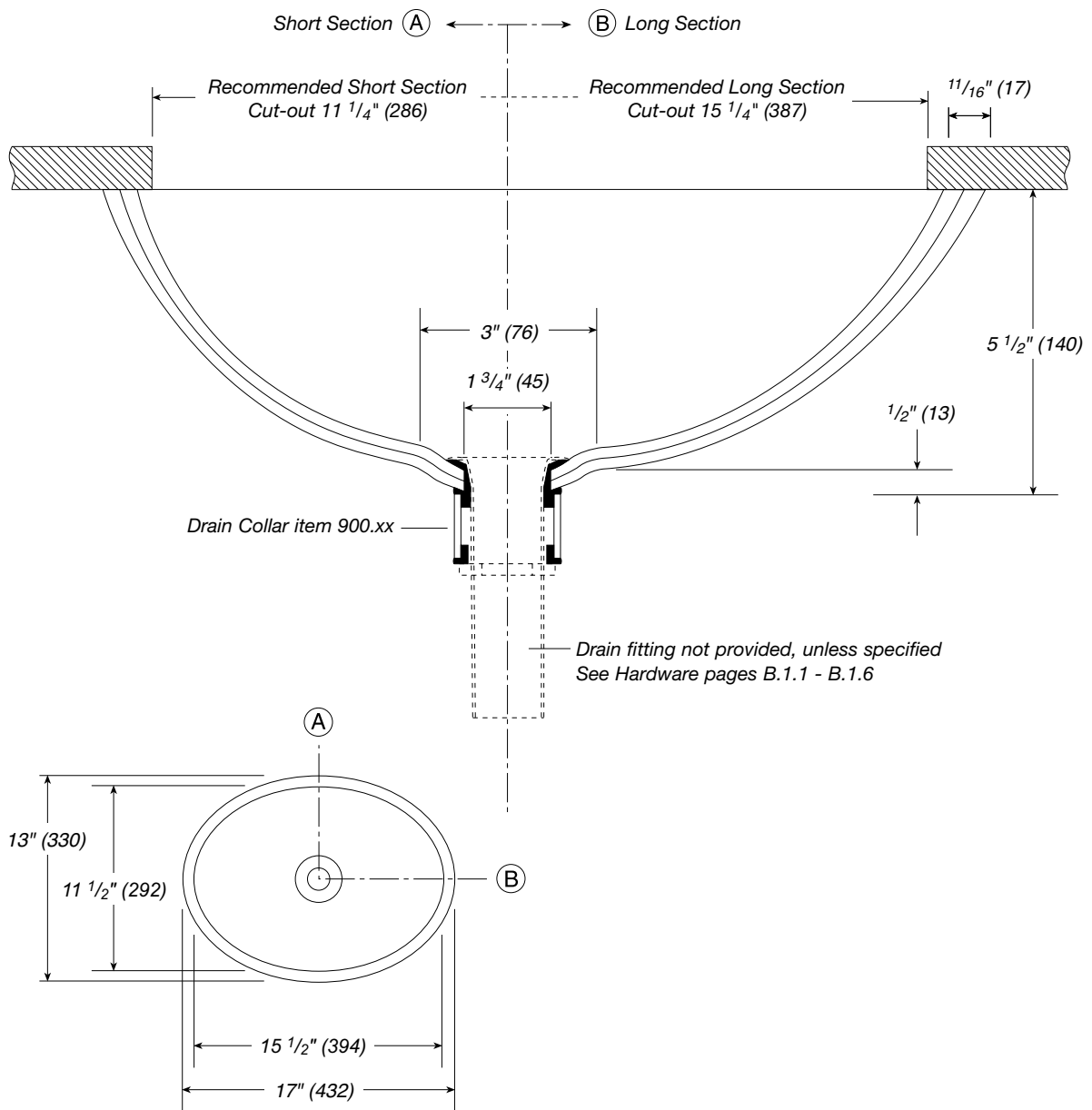
**Small Oval Rimless Undermount Basin without Overflow** Item No. 253

**For Undercounter Mount Installation**

Recommended cutout opening for Under Counter mounting: 11 1/4" (286) x 15 1/4" (387)  
 Basin O.D. 13" (330) x 17" (432)  
 Basin I.D. 11 1/2" (292) x 15 1/2" (394)

Available with or without Overflow.  
 For basins ordered without Overflow, Overflow Collar is *required* to install drain.  
 See Hardware pg B.1.7 to order Drain Collar, Item number 900.xx as a separate item with choice of metal finish.

 See page 2.1.c for general ADA guidelines. Contact factory for installation of this product to meet ADA guidelines in coordination with your faucet specification.




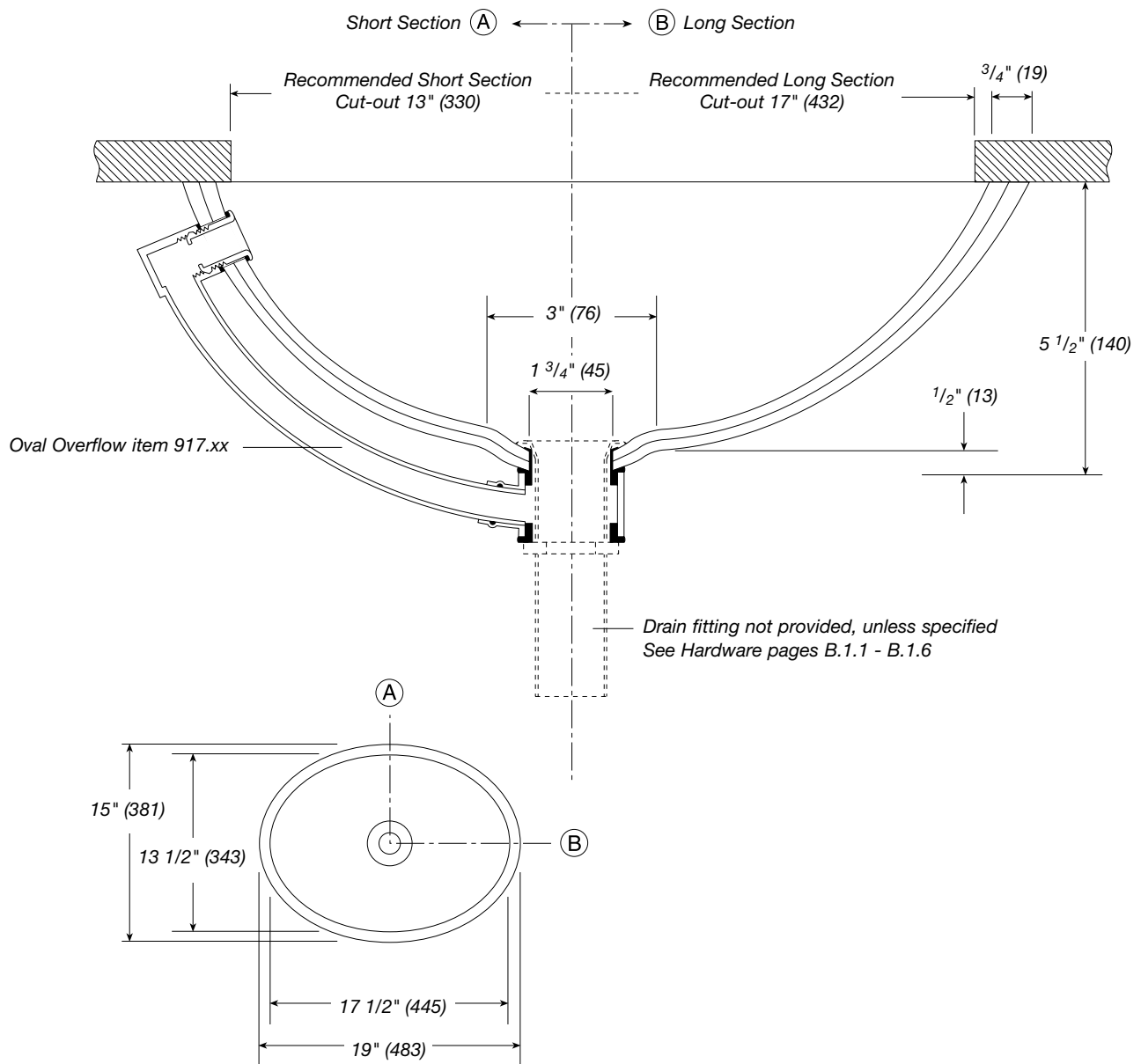
## Large Oval Rimless Undermount Basin with Overflow Item No. 263

### For Undercounter Mount Installation

Recommended cutout opening for Under Counter mounting: 13" (330) x 17" (432)  
 Basin O.D. 15" (381) x 19" (483)  
 Basin I.D. 13 1/2" (343) x 17 1/2" (445)

Available with or without Overflow.  
 See Hardware pg B.1.8 to order Oval Overflow, Item number 917.xx as a separate item with choice of metal finish.

 See page 2.1.c for general ADA guidelines. Contact factory for installation of this product to meet ADA guidelines in coordination with your faucet specification.






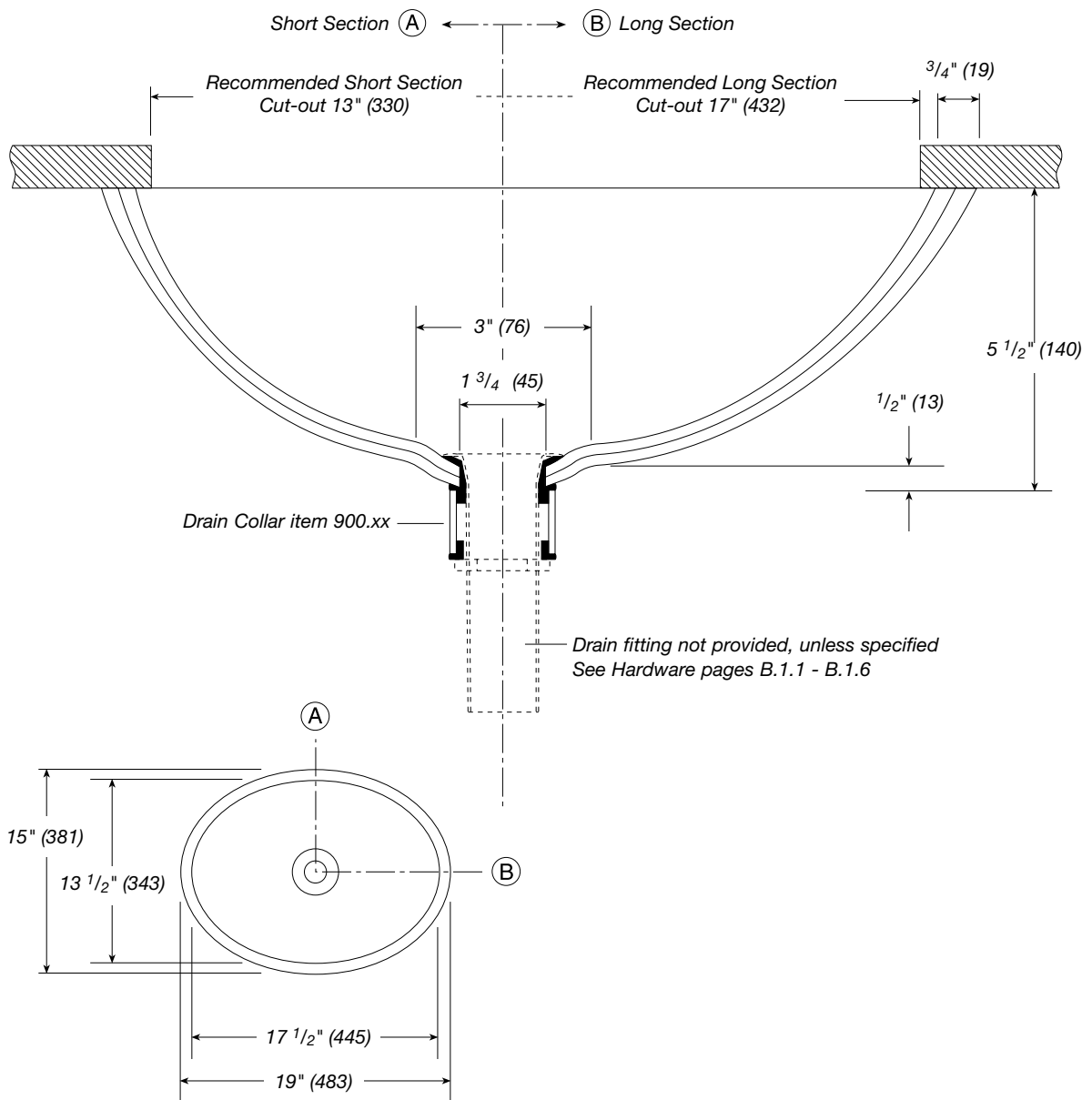
## Large Oval Rimless Undermount Basin without Overflow Item No. 263

### For Undercounter Mount Installation

Recommended cutout opening for Under Counter mounting: 13" (330) x 17" (432)  
 Basin O.D. 15" (381) x 19" (483)  
 Basin I.D. 13 1/2" (343) x 17 1/2" (445)

Available with or without Overflow.  
 For basins ordered without Overflow, Overflow Collar is *required* to install drain.  
 See Hardware pg B.1.7 to order Drain Collar, Item number 900.xx as a separate item with choice of metal finish.

 See page 2.1.c for general ADA guidelines. Contact factory for installation of this product to meet ADA guidelines in coordination with your faucet specification.

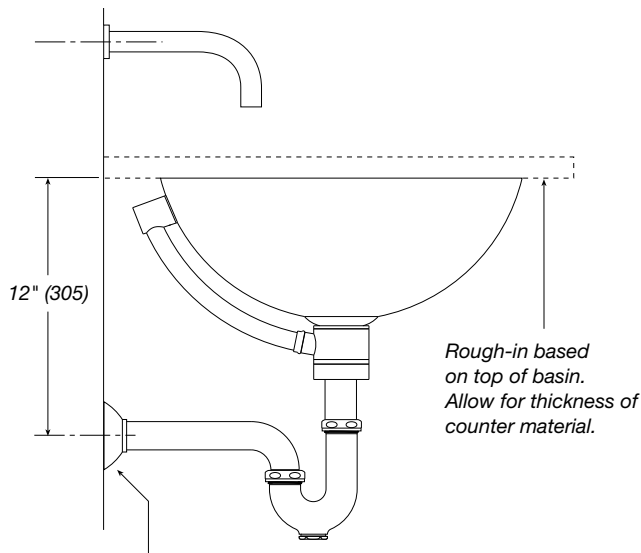


## Rough-in Specification For All Rimless Undermount Basins 203, 213, 253, 263

Please provide these instructions to contractor at point of sale. See pg 2.1.c for ADA rough-in requirements.

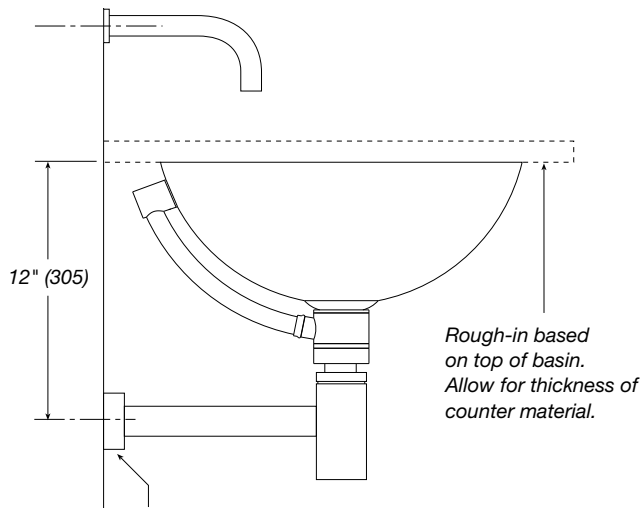
### Rough-in for waste

Drawings below show recommended height of waste rough-in for all Vitraform Drain systems. If additional distance is required, see pgs B.1.1-4 for maximum rough-in dimensions of individual drains.



The compression fitting should not extend more than  $\frac{5}{8}$ " (16) beyond the finished wall in order to be covered by the Vitraform escutcheon.

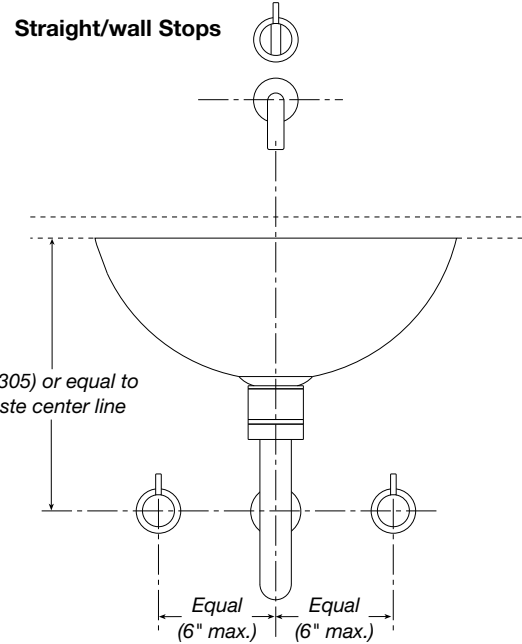
### European Siphon



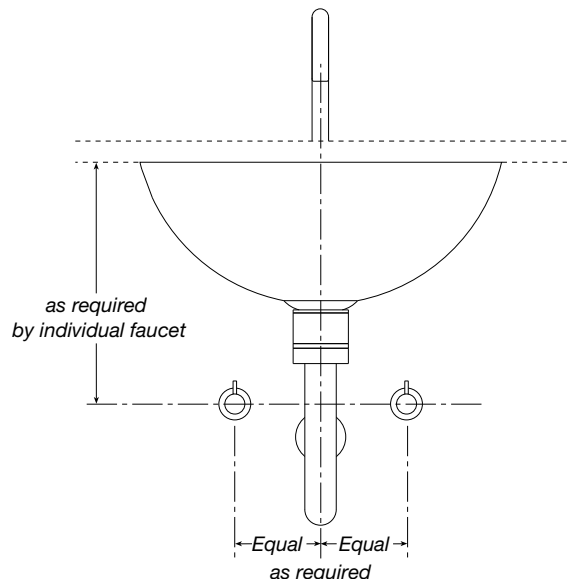
The compression fitting should not extend more than  $\frac{5}{8}$ " (16) beyond the finished wall in order to be covered by the Vitraform escutcheon.

### Recommended position for Stops

Drawings below are guidelines for placement of exposed fittings in Vitraform installations. Stops should be level and centered on waste line. For deck mounted faucets, height and center to center of angle stops will be defined by the length of water lines of each individual faucet.



### Angle Stops



**Installation Instructions: All Rimless Undermount Basins 203, 213, 253, 263**

Please provide these instructions to contractor at point of sale.

**CAUTION:** This sink is made of glass. It is very strong, but sensitive to hard object impact, extreme change in temperature and high mechanical stress. Most damage to this product occurs during installation. Please follow installation instructions carefully. VITRAFORM sinks are intended and Warranted for Lavatory use only.

**Sink Installation**

This sink is intended to be UNDER COUNTER MOUNTED only.

**IMPORTANT NOTE:** The use of Clear Silicone Adhesive is recommended for attaching this sink to most counter materials. Clear Silicone Adhesive is a readily available and easily applied material with good bonding properties. However, it is virtually impossible to remove, ESPECIALLY ON FROSTED GLASS, even before it sets. Consequently, extreme care must be taken while handling Silicone Adhesive in conjunction with this product.

It is easier to attach an under-mount basin to an inverted counter before the counter is installed. The following instructions assume the appropriate cut-out has been made in the counter.

1. Use the Vitraform cut-out template included with Rimless Under-mount basin. Place sink face down on the paper template aligning it to the line marked OUTER SINK EDGE. Mark cross hairs on sink that has been protected by small pieces of masking tape to avoid visibility of marks after installation.
2. Measure the cut-out and mark cross hairs on the counter to locate center of cut-out. Place the sink face down on the counter aligning corresponding cross hairs to lines drawn on counter. Trace line of outer sink edge on counter.
3. Set sink aside on clean, soft surface. Check to make sure the traced line of the edge of the sink is concentric to the cut-out. Lay down ONLY 1/16" bead of silicone approximately at the center line of the rim of the sink so that no silicone will be visible from the top of the counter at the cut-out.
4. Carefully set sink on counter aligning it to the traced line of the outer sink edge. If overflow is included, position overflow to either front or back as desired and align with cross hair marked on counter in step 2. Check once more to make sure the sink is aligned with the cutout in the counter. DO NOT GET SILICONE ON THE BOTTOM SURFACE OF THE GLASS. Do not attempt to wipe or remove excess silicone at this point. Allow 24 hours before moving counter. Any excess silicone may be removed after the silicone has set.
5. Secure sink in place on the counter with masking tape across the drain in a crisscross pattern to avoid shifting while the silicone sets. Tape used on the sink in step #2 may be removed in 24 hours.

If the counter is already installed and sink must be installed from below, use a piece of threaded rod, nuts, washers and a wooden board large enough to span the counter cut-out and a smaller board at the drain hole of the sink. Tighten threaded rod assembly just tight enough to prevent the sink from shifting until silicone sets in 24 hours. DO NOT OVER-TIGHTEN. CAUTION: When inserting and removing the rod through the hole at the drain, be careful not to chip the hole.

**Care for the Vitraform Glass Sink:** Use commercial glass cleaners sprayed onto a soft cloth to clean glass surface(s). Wipe basin dry after use to avoid mineral deposits on glass left by water spots. For frosted glass, special attention to stubborn stains or adhesives may be required. Silicone or other adhesives may be impossible to remove from frosted finishes. If contamination occurs attempt to remove adhesive with glass cleaner first, then denatured alcohol, paint thinner or mineral spirits. If none of these solvents work, the stain might be removed by re-blasting the bowl. Contact the factory for authorization to return the product for evaluation. A return authorization must accompany the product. Please pack the sink in the original box or other proper packing to assure its safe return and insure for full value.

**Care for metal fittings and plated finishes:** Wipe metal fittings dry after use to avoid water spots. Glass cleaner used on the Vitraform Glass Sink may be damaging to metal finishes. Use a diluted, neutral, liquid soap and a soft cloth to clean metal fittings. Never use an abrasive cloth or scouring pad.

**Choice of Installation with or without Overflow**

**Overflow:** hardware supplied

- |                               |                          |
|-------------------------------|--------------------------|
| <b>A.</b> Rubber Sink Grommet | <b>E.</b> Rubber Washers |
| <b>B.</b> Overflow Nipple     | <b>F.</b> Lower Collar   |
| <b>C.</b> Hex Tool            | <b>G.</b> O-ring         |
| <b>D.</b> Upper Tube          |                          |

Overflow Installation

1. Insert lip of Rubber Sink Grommet **A** into drain hole of sink.
2. Insert Overflow Nipple **B** and Rubber Washers **E** into overflow hole of sink and partially start threads into Upper Tube **D** while aligning Lower Collar **F** with Rubber Sink Grommet **A**.
3. Using Hex Tool **C** lightly tighten Overflow Nipple **B**.

**Drain Collar:** hardware supplied

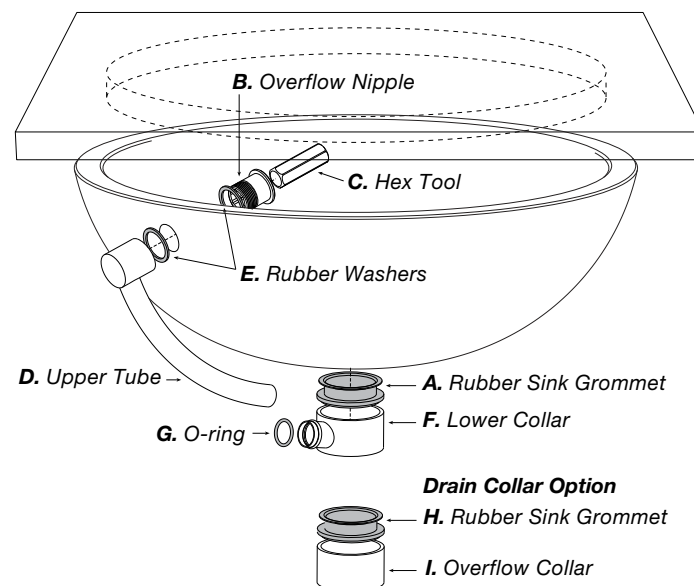
- |                               |
|-------------------------------|
| <b>H.</b> Rubber Sink Grommet |
| <b>I.</b> Overflow Collar     |

Overflow Collar Installation

1. Insert lip of Rubber Sink Grommet **H** into drain hole of sink.
2. Mate Overflow Collar **I** with Rubber Sink Grommet **H**.

**Drain Installation**

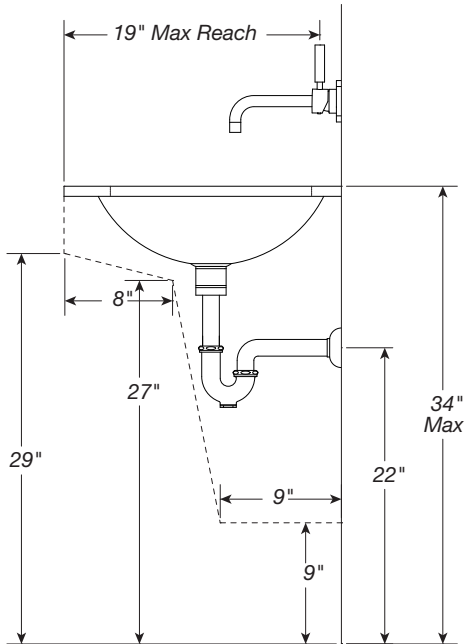
See Hardware pgs B.a-e for instructions on installing Vitraform drain systems with this basin.



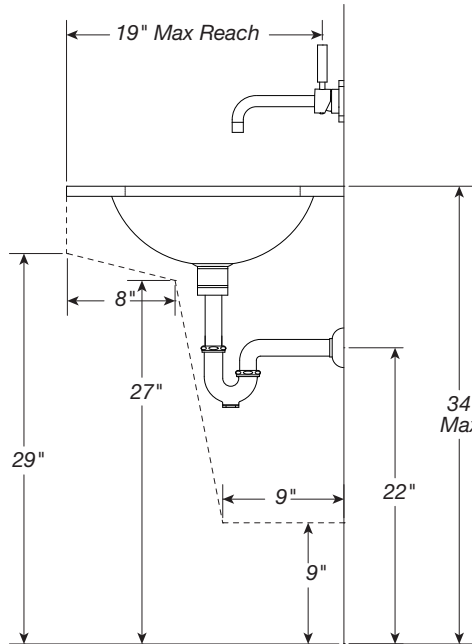
**ADA Installation Guidelines Rimless for All Undermount Basins Item No. 203, 213, 253 & 263**

Please provide these instructions to contractor at point of sale.

Round Rimless Undermount with Wall Faucet



Oval Rimless Undermount with Wall Faucet



**Dimension Reference Chart**

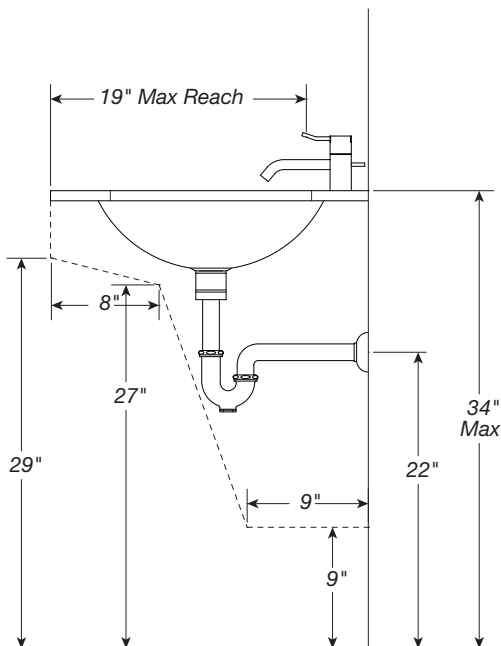
Item	Description	Dim.
A	Counter Height	34" Max.
B	Apron	29" Min.
C	Knee Clearance	27" Min.
D	Toe Clearance	9" Min.
E	Rough-in	22"
F	Knee Clearance	8" Min.
G	Toe Clearance	6" Max.

**DECK FAUCETS:**

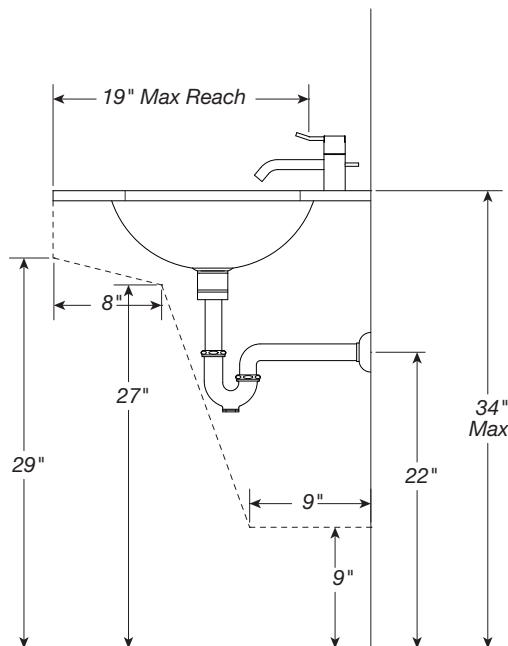
Reach to faucet handle must be Maximum 19". Faucet may be positioned to side or on angle to accommodate basin. Provide faucet specification and request drawing from factory for coordination.

NOTE: The information above is for general reference only. Please refer to published ADA Guideline for local compliance and exact requirements. [www.ada.gov](http://www.ada.gov) (see Figs. 31 & 32).

Round Rimless Undermount with Deck Faucet



Oval Rimless Undermount with Deck Faucet



**Worksheet** for Items: 203, 213, 253, 263

This Worksheet is provided for your convenience.

Please refer to the current Vitraform General Price List to build a complete item number and price for this product.

P.O. No: \_\_\_\_\_ Date: \_\_\_\_\_ Sales Person: \_\_\_\_\_ Tel: \_\_\_\_\_ Ext: \_\_\_\_\_

<b>Glass Order</b>	<b>Quantity:</b> _____ Please use additional Order Forms for non-identical orders.				
	Order No: _____	_____	_____	_____	_____
	<b>A</b>	<b>B</b>	<b>C</b>	<b>D</b>	<b>E</b>
Price: \$ _____	NA	_____	NA	_____	TOTAL \$ _____

<b>Overflow</b>	<b>Overflow</b> See Hardware pg B.1.9 Basins with Overflow require this fitting.		
		<b>Round</b>	<b>Oval</b>
<input type="checkbox"/> Overflow Small	911.XX	916.XX	
<input type="checkbox"/> Overflow Large	912.XX	917.XX	
<b>Drains</b>	<b>Drains (optional) for Overflow</b> See Hardware pg B.1.1 - B.1.6 See Metal Finish Key below for "XX"		
	<b>Drain Set with:</b>	<b>US Trap</b>	<b>Euro Siphon</b>
<input type="checkbox"/> Grid Strainer	810.XX	810.XXS	
<input type="checkbox"/> Pivot Drain	820.XX	820.XXS	
<input type="checkbox"/> Dome Open	860.XX	860.XXS	
<input type="checkbox"/> Dome Pop-up	862.XX	862.XXS	

<b>No Overflow</b>	<b>without Overflow</b> See Hardware pg B.1.7 Basins without Overflow require this fitting to install drain.		
		<b>Round</b>	<b>Oval</b>
<input type="checkbox"/> Collar	900.XX	900.XX	
<b>Drains</b>	<b>Drains (optional) for No Overflow</b> See Hardware pg B.1.1 - B.1.6 See Metal Finish Key below for "XX"		
	<b>Drain Set with:</b>	<b>US Trap</b>	<b>Euro Siphon</b>
<input type="checkbox"/> Grid Strainer	811.XX	811.XXS	
<input type="checkbox"/> Pivot Drain	821.XX	821.XXS	
<input type="checkbox"/> Dome Open	861.XX	861.XXS	
<input type="checkbox"/> Dome Pop-up	863.XX	863.XXS	

**Finish Key** Call for quote on custom finishes.

**Example:**

Add 2 digit Finish Code to 3 digit Item No.

810.20 = Grid with US PTrap **Satin Chrome**

<b>Fin. Group 1</b>	<b>Code</b>	<b>Fin. Group 2</b>	<b>Code</b>	<b>Fin. Group 3</b>	<b>Code</b>	<b>Fin. Group 4</b>	<b>Code</b>
Polished Chrome	10	Polished Nickel	12	Oil Rubbed Bronze	15	Polished Gold	13
		Satin Chrome	20	PVD Brass	16	Satin Gold	23
		Satin Nickel	22	Satin Brass	21		

---

This page intentionally blank.