

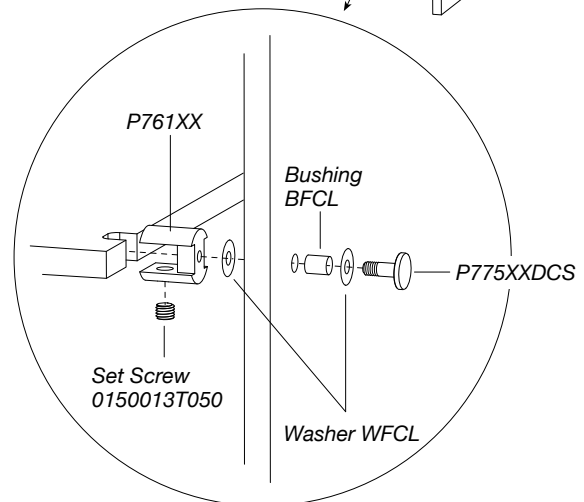
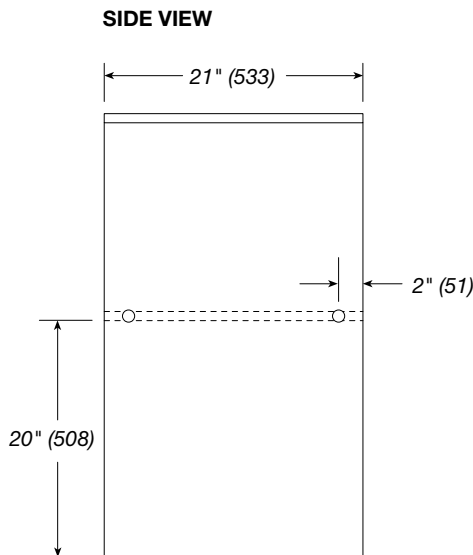
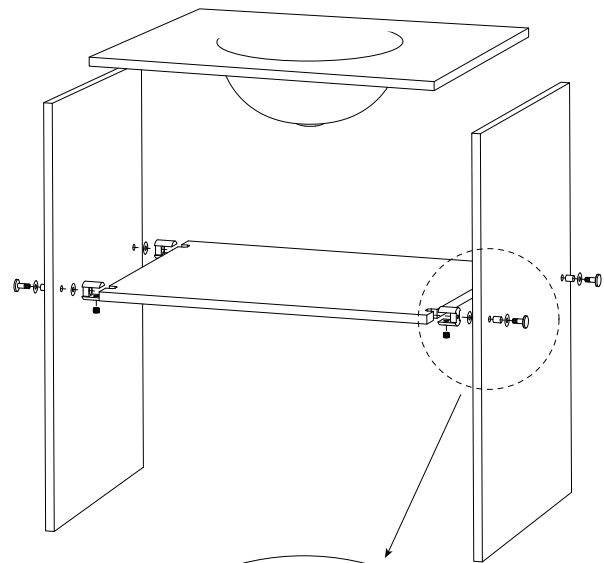
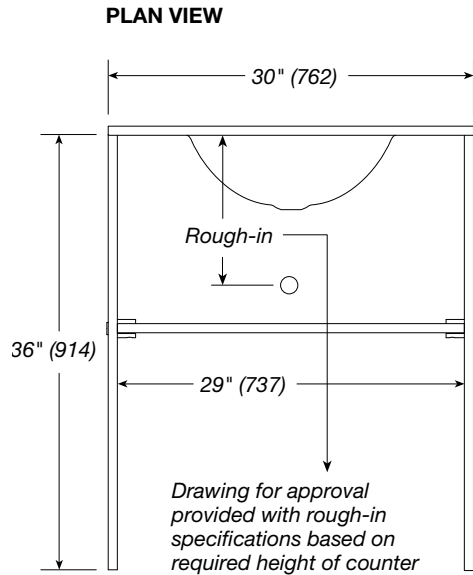
Wash Stand

Round Single Basin Wash Stand (see page 3.4.1)	Item 310
Round Double Basin Wash Stand (see page 3.4.2)	Item 312
Rectangular Single Wash Stand	Item 320
Oval Single Basin Wash Stand (see page 3.4.4)	Item 360
Oval Double Basin Wash Stand (see page 3.4.5)	Item 362
Rectangular Double Wash Stand	Item 322

Offered in standard Countersink sizes up to 60" width with one or two basins.

Wash stand shipped knocked down. Countersink is attached to panel leg on site with clear silicone adhesive.

Glass Finish Options: See Color & Finish guide page 4.3.1 for selection of appropriate glass finishes for this item.



Wash Stand Installation Instructions

Please provide these instructions to contractor at point of sale.

CAUTION: This product is made of glass. It is very strong, but sensitive to hard object impact, extreme change in temperature and high mechanical stress. Most damage to this product occurs during installation. Please follow installation instructions carefully. VITRAFORM products are intended and Warranted for Lavatory use only.

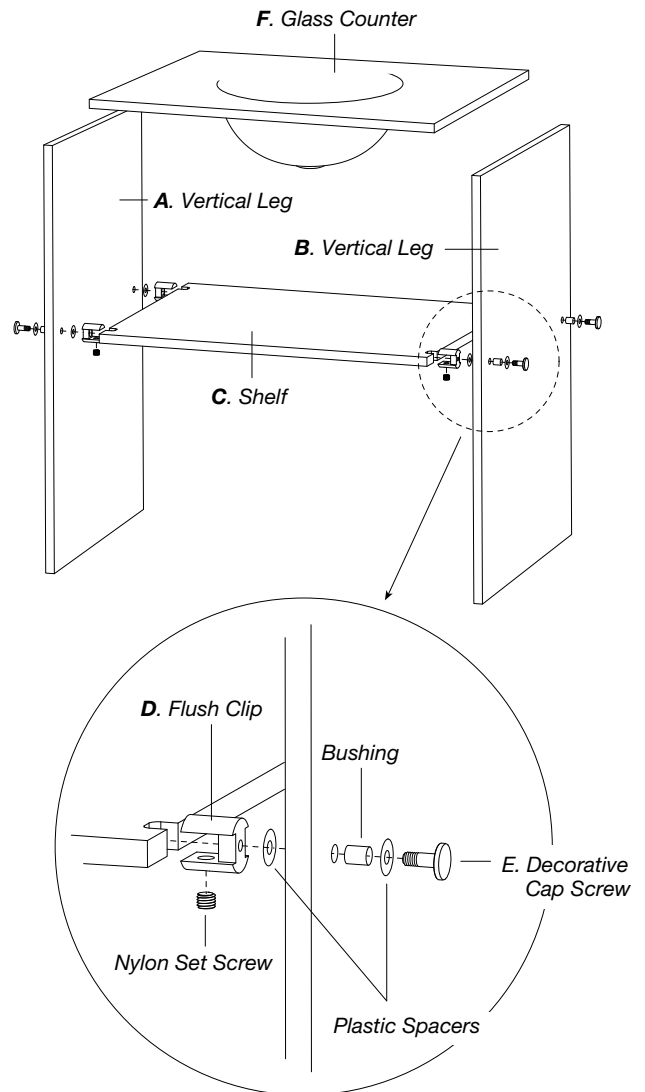
IMPORTANT NOTE: This is a difficult installation and should be performed by TWO EXPERIENCED GLASS INSTALLERS.

The use of Clear Silicone Adhesive is recommended for attaching the Counter to the legs of this product, and the finished assembly to the wall and floor. The Vitraform Washstand is offered in Black, Cobalt and White glass, all which may be assembled with Silicone adhesive. If any other color of Vitraform Glass is ordered, it must be assembled on site with optically clear adhesive by an experienced Glass Installer, or the attachment will be unsightly. In all cases, the glass must have a polished finish as frosted glass may not be assembled with any adhesive.

Before installation lay out and identify all components. Due to the custom nature of this product the hardware may be preassembled at the factory. Locate an area to assemble that is at or near the actual installation location. Lay out a soft material such as an old piece of carpet on which to work. This will prevent contact of glass to hard floor materials.

1. Assemble (2) Vertical Legs and Shelf as follows: Identify Vertical Leg Sections **A** and **B**. Reference shop drawing provided to verify top and bottom of leg. If hardware is not preassembled assemble Flush Clip **D** and Decorative Cap Screw using appropriate plastic spacers as indicated with Nylon Locking Set Screw in the down facing position. While one person holds Vertical Leg **A** upright the other person carefully slides Shelf **C** into Flush Clips **D** and tightens Nylon Set Screws. Repeat process with Vertical Leg **B**. This "BASE" assembly is relatively stable at this point and can be carefully moved by two people as a unit while lifting from the point where the vertical and horizontal parts meet.
2. Verify clearance of the supply and waste lines relative to the Washstand. Position "BASE" assembly against the wall. Using a square, check to be sure legs are square to shelf. Gently lift base to adjust legs if necessary. Place Glass Counter **F** on legs to verify that counter edges line up with legs and adjust base if necessary. Remove the Counter. **WARNING:** Be extremely careful moving legs and Counter and touching glass to glass to avoid chipping.
3. Shim legs at floor if necessary to level "BASE" assembly.
4. Apply a small bead of Clear Silicone along the top of each Leg and replace Glass Counter. Temporarily tape Counter to legs and legs to wall using duct or masking tape.
5. Secure "BASE" assembly by caulking the joint of the glass at the wall and floor with Clear Silicone Adhesive. Caulk only inside the assembly where it is less visible.

6. Clean up excess silicone before it sets. Let Silicone set for 24 hours before installing plumbing or removing tape.
7. After removal of tape carefully clean up dried Silicone using a NEW single edged razor blade. If not performed carefully this process can SCRATCH THE GLASS.
8. Install drain or faucet hardware as directed by instructions supplied by manufacturer. **CAUTION:** Over-tightening the faucet or drain fittings will crack the glass.
9. Clean Washstand with soft cloth and glass cleaner. Clean metal fittings as instructed by manufacturer.



Care for the Vitraform Glass Sink: Use commercial glass cleaners sprayed onto a soft cloth to clean glass surface(s). Wipe basin dry after use to avoid mineral deposits on glass left by water spots. For frosted glass, special attention to stubborn stains or adhesives may be required. Silicone or other adhesives may be impossible to remove from frosted finishes. If contamination occurs attempt to remove adhesive with glass cleaner first, then denatured alcohol, paint thinner or mineral spirits. If none of these solvents work, the stain might be removed by re-blasting the bowl. Contact the factory for authorization to return the product for evaluation. A return authorization must accompany the product. Please pack the sink in the original box or other proper packing to assure its safe return and insure for full value.

Care for metal fittings and plated finishes: Wipe metal fittings dry after use to avoid water spots. Glass cleaner used on the Vitraform Glass Sink may be damaging to metal finishes. Use a diluted, neutral, liquid soap and a soft cloth to clean metal fittings. Never use an abrasive cloth or scouring pad.

Worksheet for Items: 310, 312, 320, 322, 360, 361

This Worksheet is provided for your convenience.

Please refer to the current Vitraform General Price List to build a complete item number and price for this product.

P.O. No: _____ Date: _____ Sales Person: _____ Tel: _____ Ext: _____

Wash Stand Order	Quantity: _____ Please use additional Order Forms for non-identical orders.					
	Order No: _____					
	A	B	C	D	E	F
Price: \$ _____ NA _____ NA _____ NA _____ TOTAL \$ _____						

Overflow	Overflow			
	See Hardware pg B.1.8 Basins with Overflow require this fitting.			
	Round	Oval	Rect.	
<input type="checkbox"/> Overflow	911.XX	916.XX	918.XX	
Drains	Drains (optional) for Overflow See Metal Finish Key below for "XX" See Hardware pg B.1.1 - B.1.6			
	Drain Set with:			
	<input type="checkbox"/> Grid Strainer	810.XX	810.XXS	
	<input type="checkbox"/> Pivot Drain	820.XX	820.XXS	
	<input type="checkbox"/> Dome Open	860.XX	860.XXS	
	<input type="checkbox"/> Dome Pop-up	862.XX	862.XXS	

No Overflow	without Overflow			
	See Hardware pg B.1.7 Basins without Overflow require this fitting to install drain.			
	Round	Oval	Rect.	
<input type="checkbox"/> Collar	900.XX	900.XX	900.XX	
Drains	Drains (optional) for No Overflow See Metal Finish Key below for "XX" See Hardware pg B.1.1 - B.1.6			
	Drain Set with:			
	<input type="checkbox"/> Grid Strainer	811.XX	811.XXS	
	<input type="checkbox"/> Pivot Drain	821.XX	821.XXS	
	<input type="checkbox"/> Dome Open	861.XX	861.XXS	
	<input type="checkbox"/> Dome Pop-up	863.XX	863.XXS	

The following information is required by the factory to provide a drawing for approval.

Faucet Specifications	Deck mount faucet	
	<input type="checkbox"/> Single Hole*	
	<input type="checkbox"/> Wide spread*	
	<input type="checkbox"/> Position in straight line <input type="checkbox"/> Follow line of bowl	
	*For Deck mount faucets attach manufacturer's specifications for spout projection, escutcheon size and hole size(s).	
	Wall mount faucet	
<input type="checkbox"/> Faucet Manufacturer and item number		
*For Wall mount faucets attach manufacturer's specifications for spout projection, escutcheon size and hole size(s).		

Net Crating Charge See Current Price List for Net Crating charges by size.

Finish Key Call for quote on custom finishes.

Example:	Fin. Group 1	Code	Fin. Group 2	Code	Fin. Group 3	Code	Fin. Group 4	Code
Add 2 digit Finish Code to 3 digit Item No.	Polished Chrome	10	Polished Nickel	12	Oil Rubbed Bronze	15	Polished Gold	13
810.20 = Grid with US PTrap Satin Chrome			Satin Chrome	20	PVD Brass	16	Satin Gold	23
			Satin Nickel	22	Satin Brass	21		