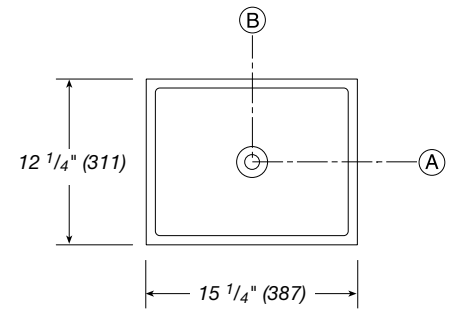


## Standard Mini Rectangular Basin without Overflow Item No. 130

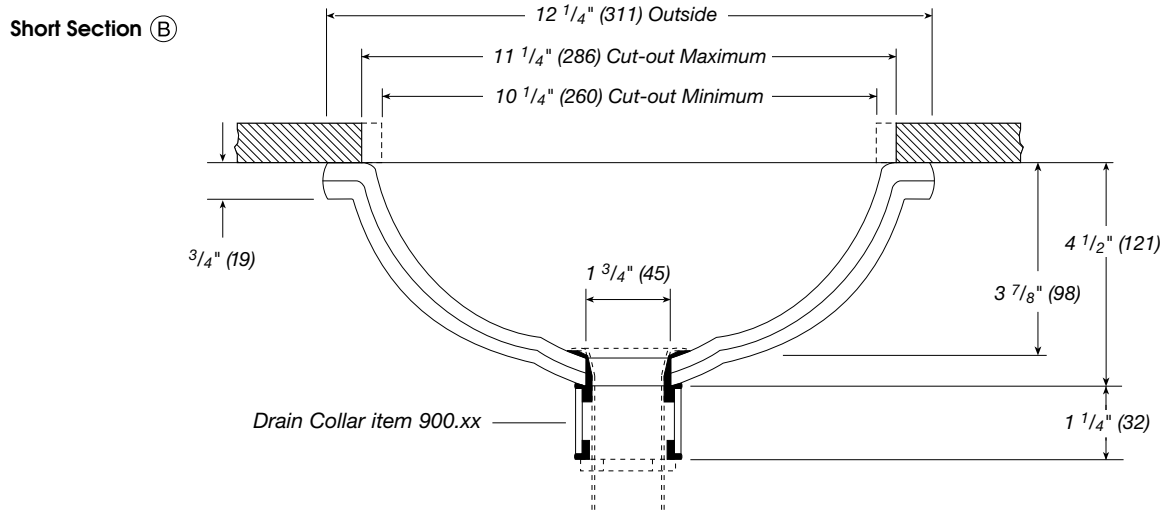
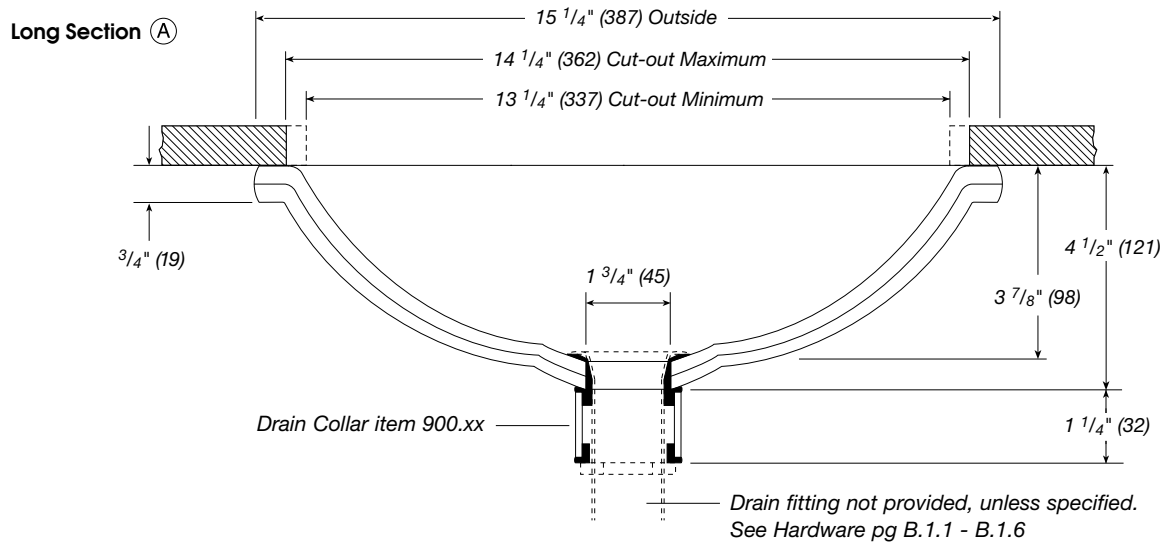
### For Undercounter Mount Installation

Recommended cut-out for Under Counter mounting:  
 Maximum 14-1/4" (362) x 11-1/4" (286)  
 Minimum 13-1/4" (337) x 10-1/4" (260)

Available with or without overflow  
 For Basins without Overflow, Overflow Collar is *required* to install drain  
 See Hardware pg B.1.7 to order Drain Collar, Item number 900.xx  
 as a separate item with choice of metal finish.



See page 1.1.f for general ADA guidelines. Contact factory for installation of this product to meet ADA guidelines in coordination with your faucet specification.



### FAUCET SELECTION FOR RECTANGULAR BASINS 170, 171, 140 and 141

Vitraform Rectangular Basins are shallow and may require consideration for use with a tall spout. Instead of positioning their hands in the bowl, the user may raise their hands high above the basin to receive the water, which causes splashing.