


Standard Mini Rectangular Basin without Overflow Item No. 131

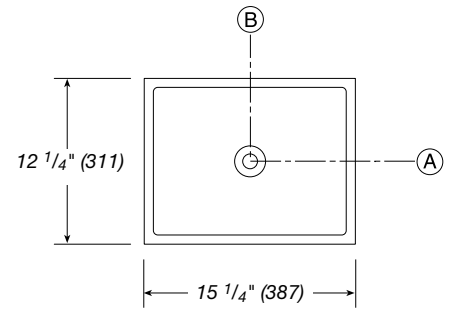
For Drop-in Installation

Recommended cut-out for Drop-in mounting: 14-1/4" (362) x 11-1/4" (286)

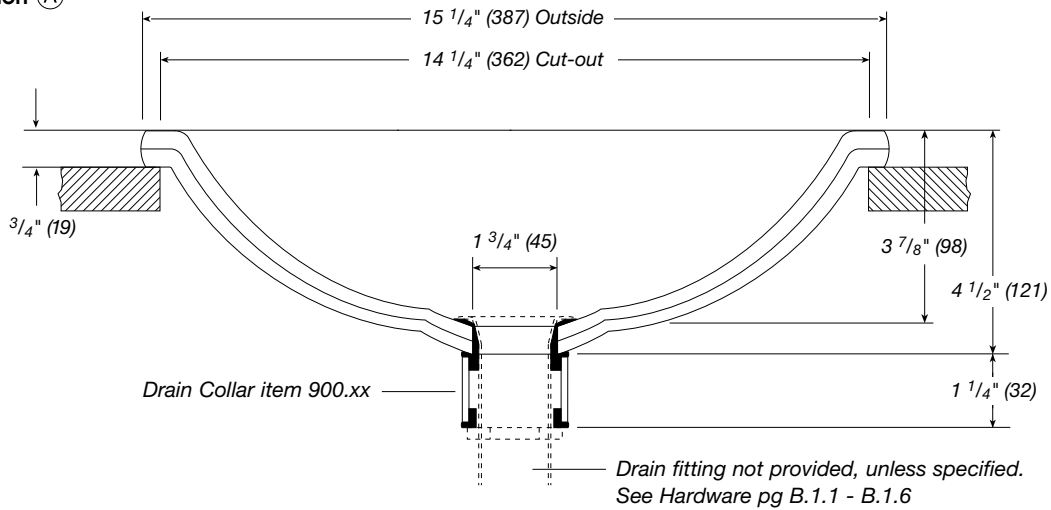
Drop-in installations for the 131 Basin are accomplished without a gasket and are available only in limited color and finish combinations. See page 1.1.2 Color & Finish Guide for these choices.

Available without overflow only. For Basins ordered without Overflow, Drain Collar is *required* to install a drain fitting. See Hardware pg B.1.7 to order Drain Collar, Item number 900.xx as a separate item with choice of metal finish.

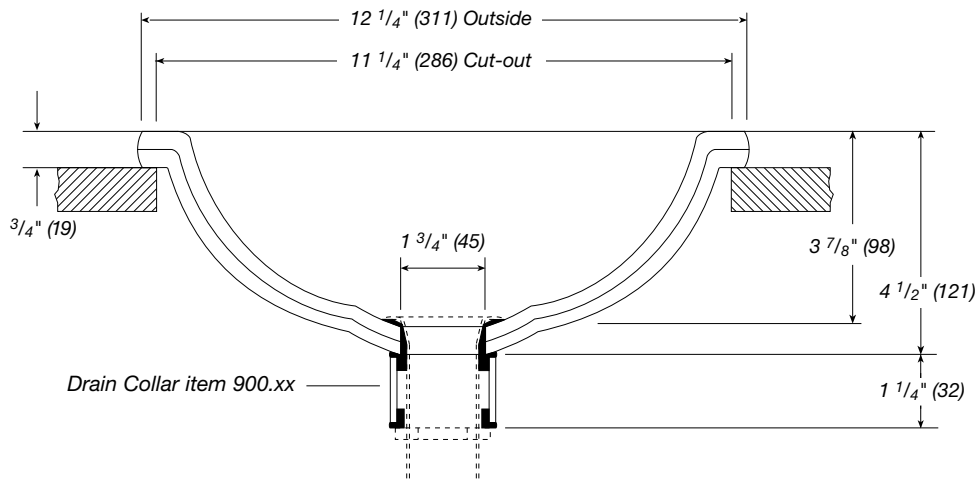
 See page 1.1.f for general ADA guidelines. Contact factory for installation of this product to meet ADA guidelines in coordination with your faucet specification.



Long Section (A)



Short Section (B)



FAUCET SELECTION FOR RECTANGULAR BASINS 170, 171, 140 and 141

Vitraform Rectangular Basins are shallow and may require consideration for use with a tall spout. Instead of positioning their hands in the bowl, the user may raise their hands high above the basin to receive the water, which causes splashing.