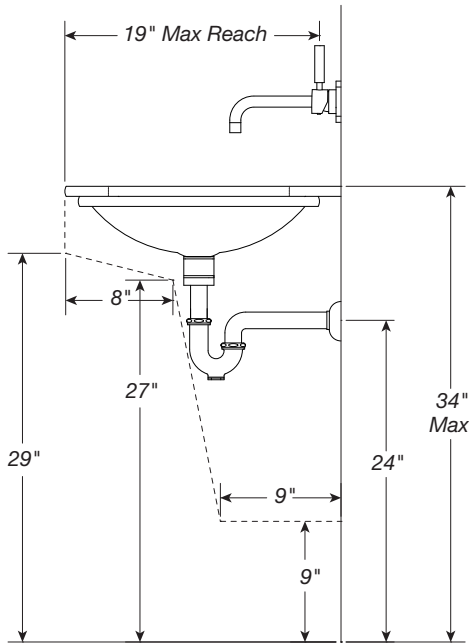


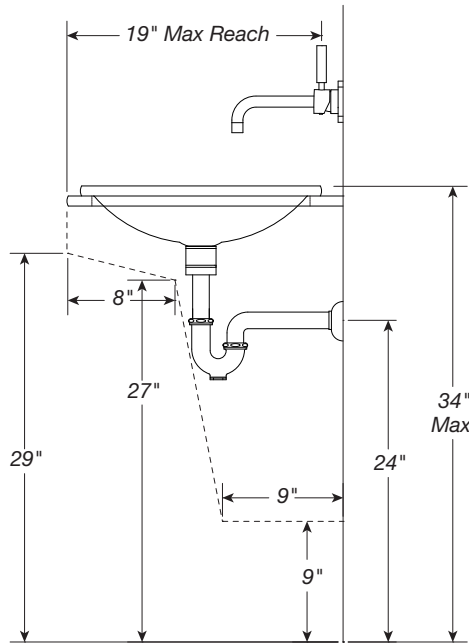
ADA Installation Guidelines for Undermount or Drop-in Basin Item No. 130, 131, 140, 141, 170 & 171

Please provide these instructions to contractor at point of sale.

Rectangular Undermount
with Wall Faucet



Rectangular Drop-in
with Wall Faucet



Dimension Reference Chart

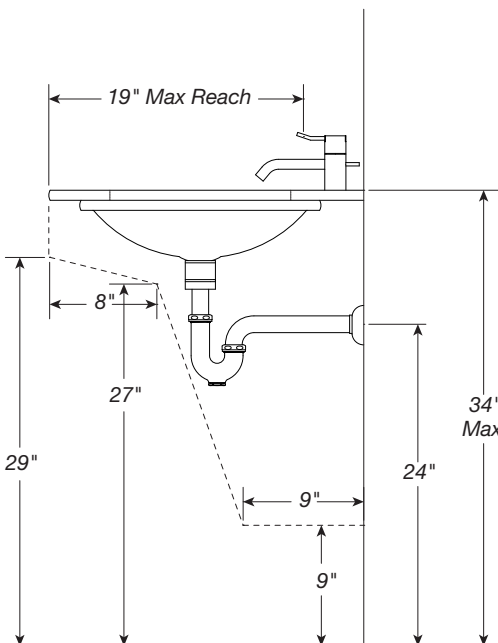
Item	Description	Dim.
A	Counter Height	34" Max.
B	Apron	29" Min.
C	Knee Clearance	27" Min.
D	Toe Clearance	9" Min.
E	Rough-in	22"
F	Knee Clearance	8" Min.
G	Toe Clearance	6" Max.

DECK FAUCETS:

Reach to faucet handle must be Maximum 19". Faucet may be positioned to side or on angle to accommodate basin. Provide faucet specification and request drawing from factory for coordination.

NOTE: The information above is for general reference only. Please refer to published ADA Guideline for local compliance and exact requirements. www.ada.gov (see Figs. 31 & 32).

Rectangular Undermount
with Deck Faucet



Rectangular Drop-in
with Deck Faucet

