


Oval Countersink with Overflow

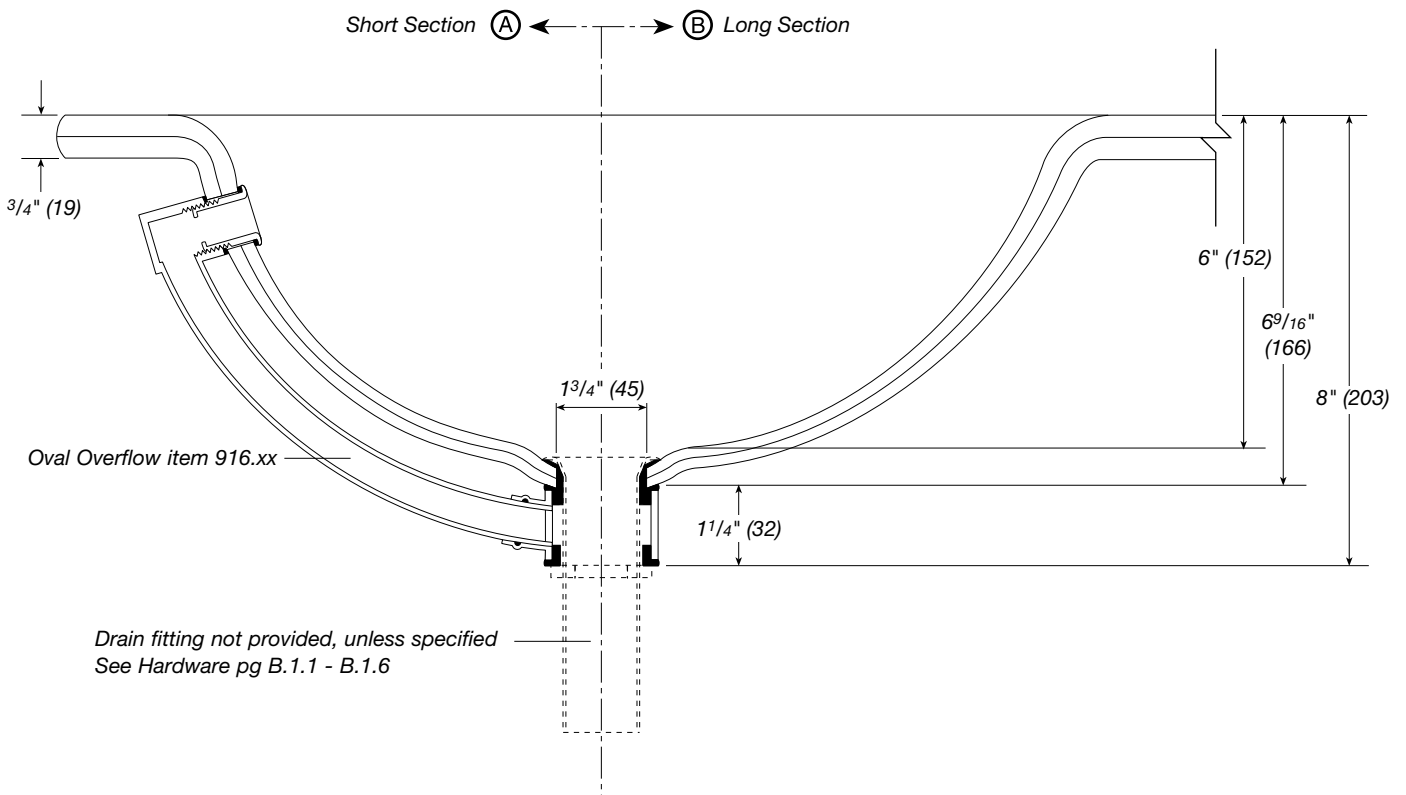
Rectangular Front Countersink Item No. 350
 Radius Front Countersink Item No. 450

Available in standard widths from 20" (508) to 84" (2132),
 with up to 3 bowls. Custom sizes and shapes by request.

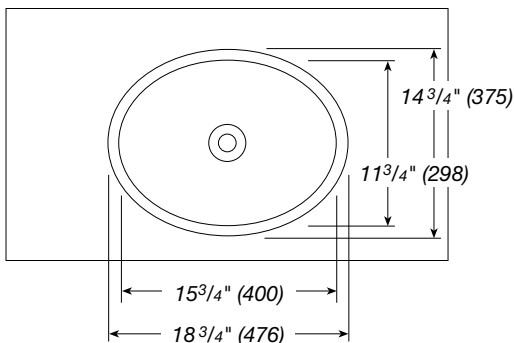
See Hardware Specification pgs B.2.2-12 for Vitraform Countersink mounting systems.

Available with or without overflow.
 See hardware pg B.1.8 to order Oval Overflow, Item number 916.xx as a separate item
 with choice of finish.

 See page 4.1.e for general ADA guidelines. Contact factory for installation of this
 product to meet ADA guidelines in coordination with your faucet specification.



Rectangular Front Countersink Item No. 350



Radius Front Countersink Item No. 450

