

Countertop Items 500, 502, 503, 550, 552, 553, 600, 602, 603, 650, 652 & 653

Rectangular Front Countertop

for Single Round Basin	Item No. 500
for Double Round Basin	Item No. 502
for Triple Round Basin	Item No. 503
for Single Oval Basin	Item No. 550
for Double Oval Basin	Item No. 552
for Triple Oval Basin	Item No. 553

Radius Front Countertop

for Single Round Basin	Item No. 600
for Double Round Basin	Item No. 602
for Triple Round Basin	Item No. 603
for Single Oval Basin	Item No. 650
for Double Oval Basin	Item No. 652
for Triple Oval Basin	Item No. 653

For Vitraform Freestanding Bowls or bowls provided by other.
Contact Factory for approval of non Vitraform basins in this application.

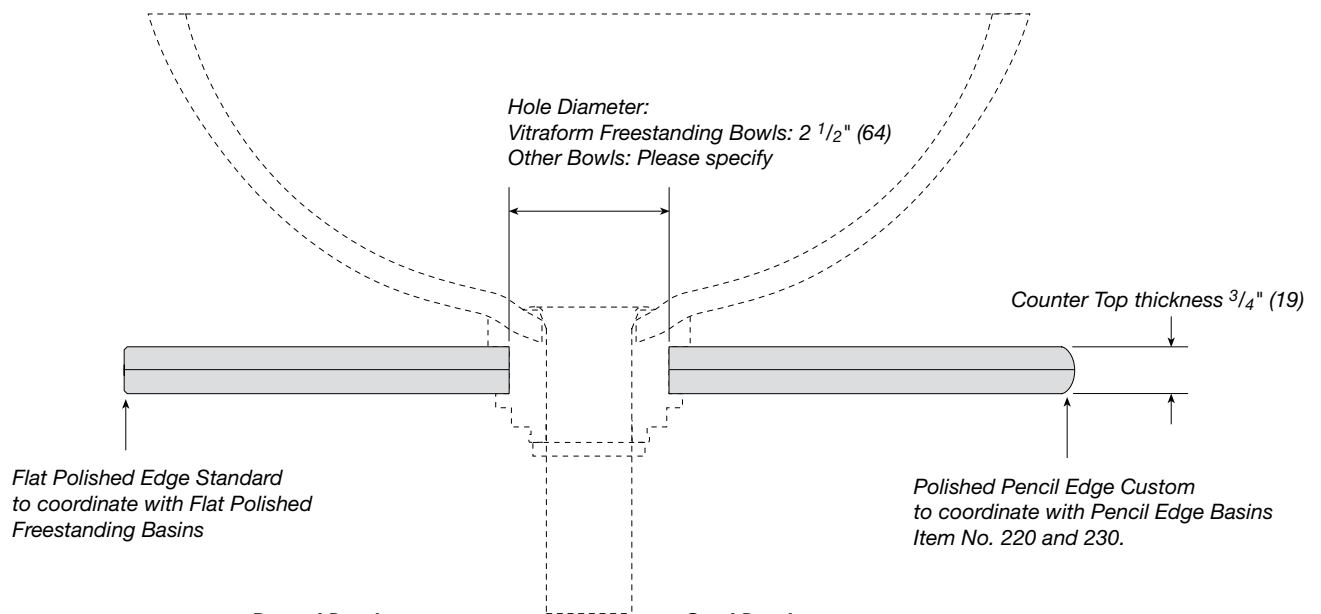
Available in any width from 20"(508) to 84" (2134) with radius or rectangular front and custom shapes.

Specify flat polished or pencil edge to coordinate with edge of basin.

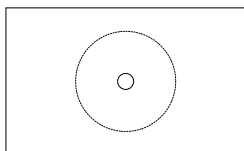
Shop drawings are provided by the factory to coordinate basin, countertop, faucet and installation requirements.

See Hardware Specification pgs B.2.2-12 for Vitraform Counter Top mounting systems.

Order bowl separately.

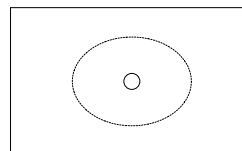


Round Bowls:

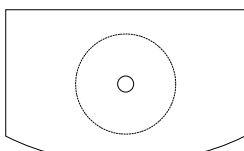


Rectangular Front Item No. 500

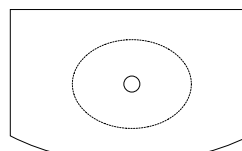
Oval Bowls:



Rectangular Item No. 550



Radius Front Item No. 600



Radius Front Item No. 650