

Coppa Pedestal

Complete Coppa Pedestal Item 722.XX

NOTES:

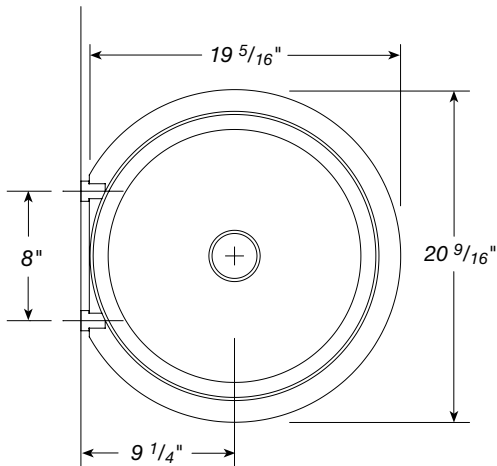
For use with Vitraform Freestanding Basins only.
 For wall mount faucets only, specify spout projection.
 Includes Pedestal Base, Basin, Drain Set, Countertop and support at wall.
 For any variation, contact factory for custom quotation.

The Coppa Pedestal is mouth blown and therefore will exhibit variations due to process. Components are assembled to maintain an overall quality, aesthetic balance and size as shown. No two pedestals will be the same and no guarantee will be made for exact size. Height of the finished assembly will be 30" to the top of the counter, plus or minus 1".

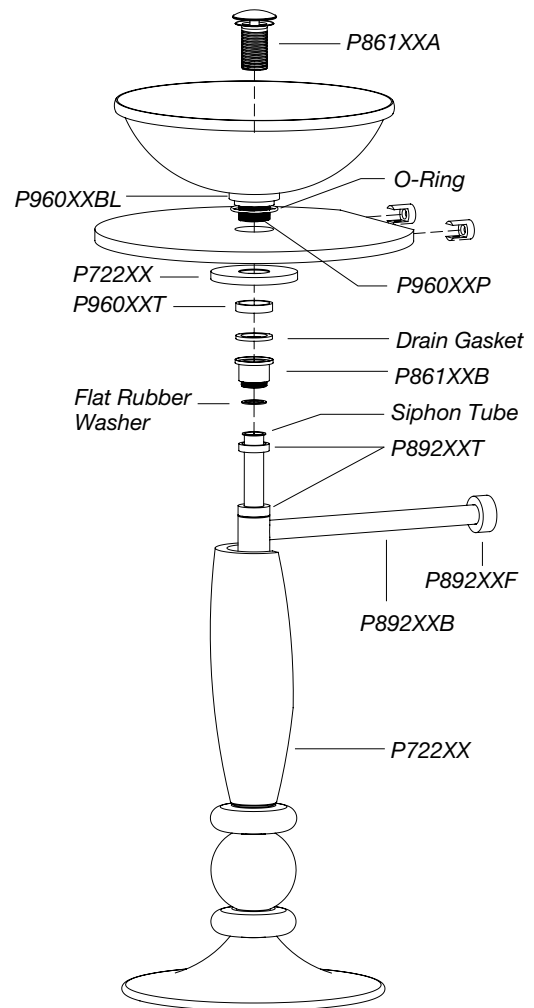
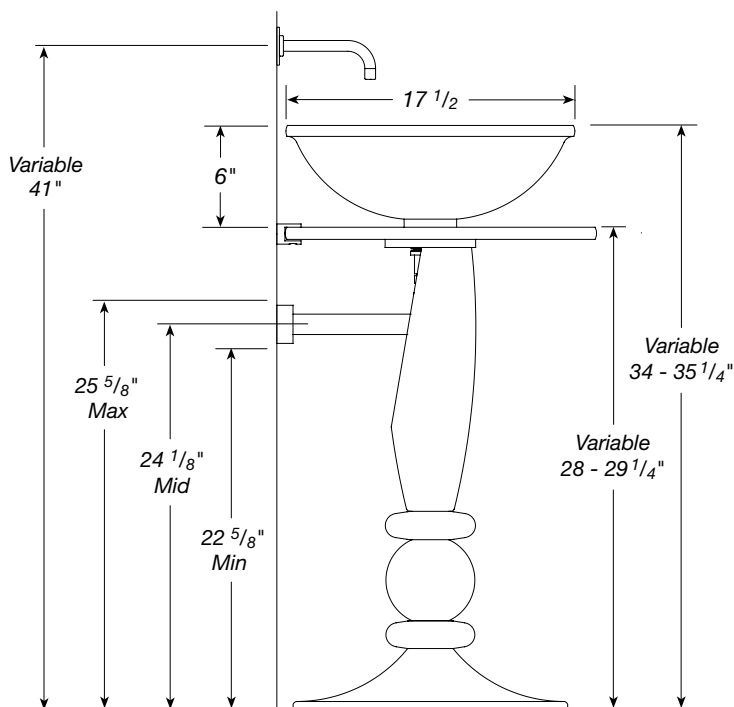
Color Techniques:

Pedestal Base in Cristal, White, Black and Cobalt are solid colors with Cristal accents. Pedestal Bases in Peach, Azurlite, Solex and Bronze are created by using a threaded technique combining glass colors to coordinate with Vitraform basins. The Coppa Pedestal is only available in these colors.

PLAN VIEW



SIDE VIEW



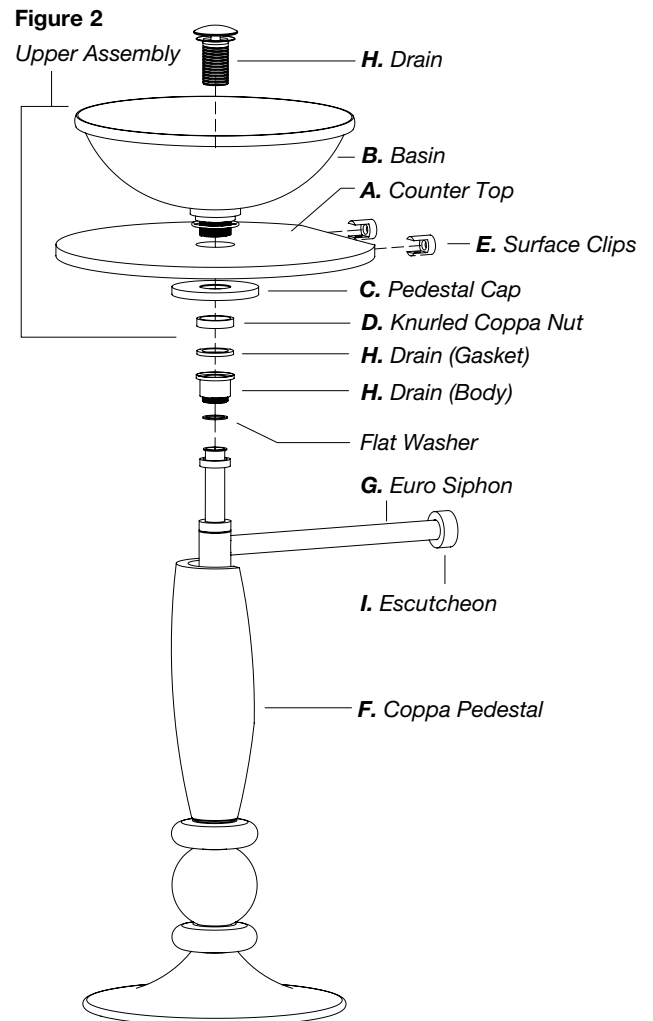
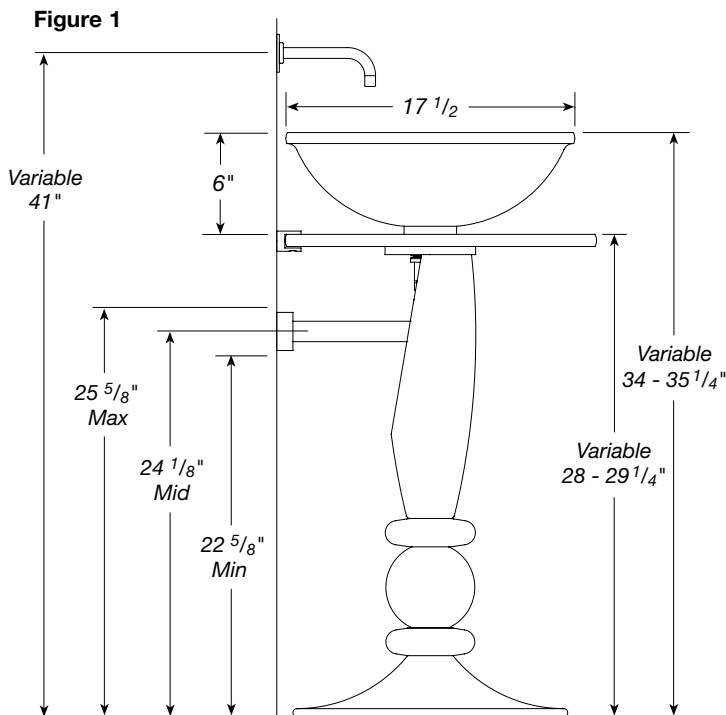
Coppa Pedestal Installation Instructions

Please provide these instructions to contractor at point of sale.

Due to the handmade nature of the Coppa Pedestal the dimensions and fit will vary greatly from unit to unit.

1. Before attempting installation, all rough-in plumbing must be completed according to dimensions in Figure 1
2. Pre-assemble Upper Assembly minus drain fittings as indicated in Diagram. Place Counter Top A between two stands such as saw horses with cloth tops that will not scratch the glass.
3. Attach Freestanding Sink to Counter Top in sequence indicated. Hand-tighten knurled Coppa Nut D. Attach Surface Clips E as indicated at 8" centers on flat side of Counter Top.
4. Place Pedestal F in approximate final location with cut-out for drain closest to the wall.
5. This section is to determine EuroSiphon G return pipe length and Surface Clip attachment holes. Place Upper Assembly minus drain assembly onto Pedestal. Install Drain Assembly and EuroSiphon body without EuroSiphon return pipe. Carefully push Surface Clips to wall by sliding Pedestal on floor. Once final location is determined, mark wall for Surface Clip attachment holes. Measure proper length of EuroSiphon return pipe and cut to length (if return tube is already cut to length, disregard).
6. Remove EuroSiphon Body, attach EuroSiphon Return Pipe, and re-install EuroSiphon, checking for correct vertical location according to drain height at wall.
7. Pedestals are usually shipped with clear rubber bumpers on the underside of glass foot. These bumpers are to protect the underside

8. Attach Surface Clips to wall using appropriate fasteners.
9. Carefully slide entire unit to its final location, directing EuroSiphon return pipe with Escutcheon into drain rough at wall. Tighten Surface Clip nylon set screws only enough to prevent the glass from being pulled out. Tighten drain connection at wall and slide Escutcheon to wall. It may be necessary to lubricate the Escutcheon with soapy water to get it to slide easily.
10. Upper Assembly is not glued to Pedestal, it merely rests on it. This is if the unit needs service in the future, it can be easily removed.
11. Run a light bead of Clear Silicone around base of Pedestal to prevent water and dirt from getting under the base. This Clear Silicone can be cut later if removal is necessary.
12. Use glass cleaner to clean all metal and glass components NOT scouring cleanser.



Care for the Vitraform Glass Sink: Use commercial glass cleaners sprayed onto a soft cloth to clean glass surface(s). Wipe basin dry after use to avoid mineral deposits on glass left by water spots. For frosted glass, special attention to stubborn stains or adhesives may be required. Silicone or other adhesives may be impossible to remove from frosted finishes. If contamination occurs attempt to remove adhesive with glass cleaner first, then denatured alcohol, paint thinner or mineral spirits. If none of these solvents work, the stain might be removed by re-blasting the bowl. Contact the factory for authorization to return the product for evaluation. A return authorization must accompany the product. Please pack the sink in the original box or other proper packing to assure its safe return and insure for full value. **Care for metal fittings and plated finishes:** Wipe metal fittings dry after use to avoid water spots. Glass cleaner used on the Vitraform Glass Sink may be damaging to metal finishes. Use a diluted, neutral, liquid soap and a soft cloth to clean metal fittings. Never use an abrasive cloth or scouring pad.