

Side Wall Support Installation Instructions

Please provide these instructions to contractor at point of sale.

This fitting is designed to support Vitraform glass Counters and Countersinks where there are one or two side walls that may be used in addition to the back wall for support. Little or no space is required between the glass and the side wall(s). The side wall fitting is intended to support Counters at the front. Vitraform In-wall Channel, Vitraform Flush Clips or Vitraform Surface Clips must be used to fix and support the Counter at the back wall. Solid blocking inside the wall is recommended to attach this support for a strong installation.

Counters **up to 48"** wide may be supported at the back and by **one side wall**.

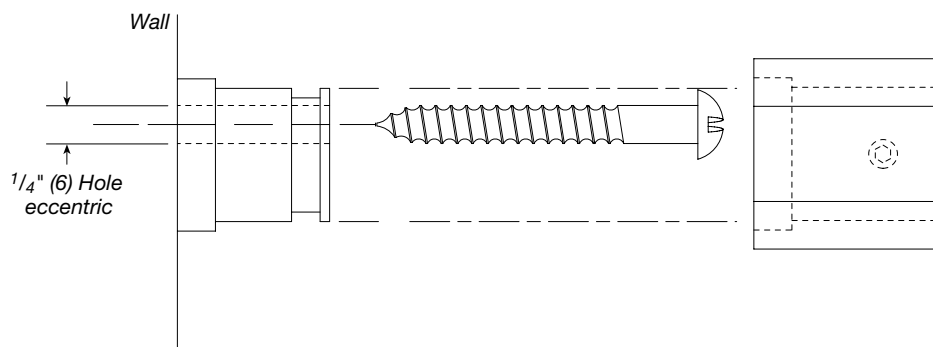
Counters **from 48" to 84"** need to be supported at the back and by **two side walls**.

Prepare back wall for coordinating Vitraform fitting. Care should be taken to set the appropriate height at wall for correct counter height.

Installation

1. Locate and mark mounting holes in side wall(s) within 4" of the front edge of the Counter. The vertical location of the hole should be $\frac{9}{16}$ " (14) below the **BOTTOM** of the Counter. Drill hole for mounting **Side Wall Support Trim** with a #14 round headed screw appropriate to thickness and type of wall material. Attach **Rough** in its most centered position. The location of the hole in the **Rough** is intentionally eccentric to provide vertical adjustability.
2. Place **Side Wall Support Trim** onto **Rough** and check to see that the flat top portion is level with the projected bottom of the counter. If it is, tighten the #14 screw and attach Trim with #10-24 **Allen set screw**.
3. Carefully install glass Counter to the back wall support according to instruction for that fitting. Try to minimize sliding the Counter on anything to avoid scratching the glass. The front of the counter is meant to rest on the side wall supports and is not attached to them.
4. Check level of counter using a bubble level and if necessary make final adjustments.
5. If In-wall Channel or Flush Mount Clips are used for back support, carefully caulk only the top surface of the Counter to the back wall using Clear Silicone adhesive.

PLAN VIEW



SECTION

