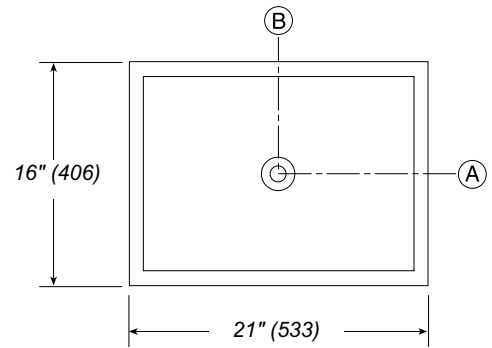
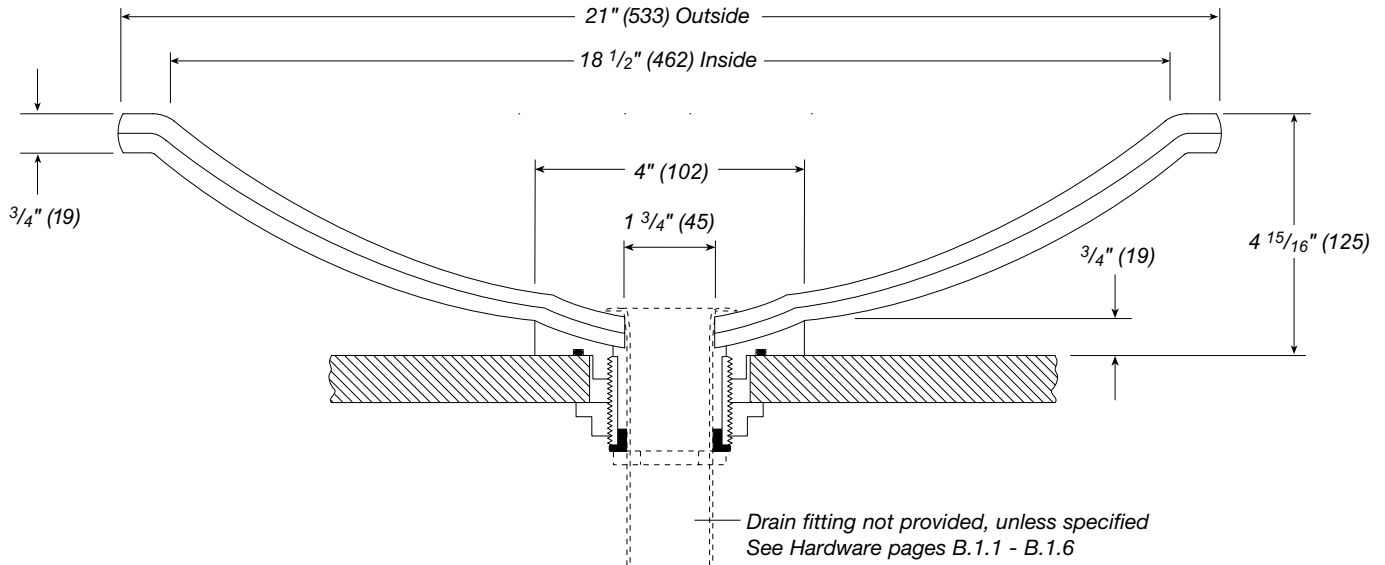


## Large Rectangular Freestanding Basin Item No. 240

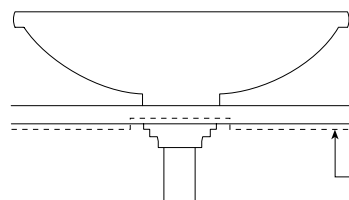
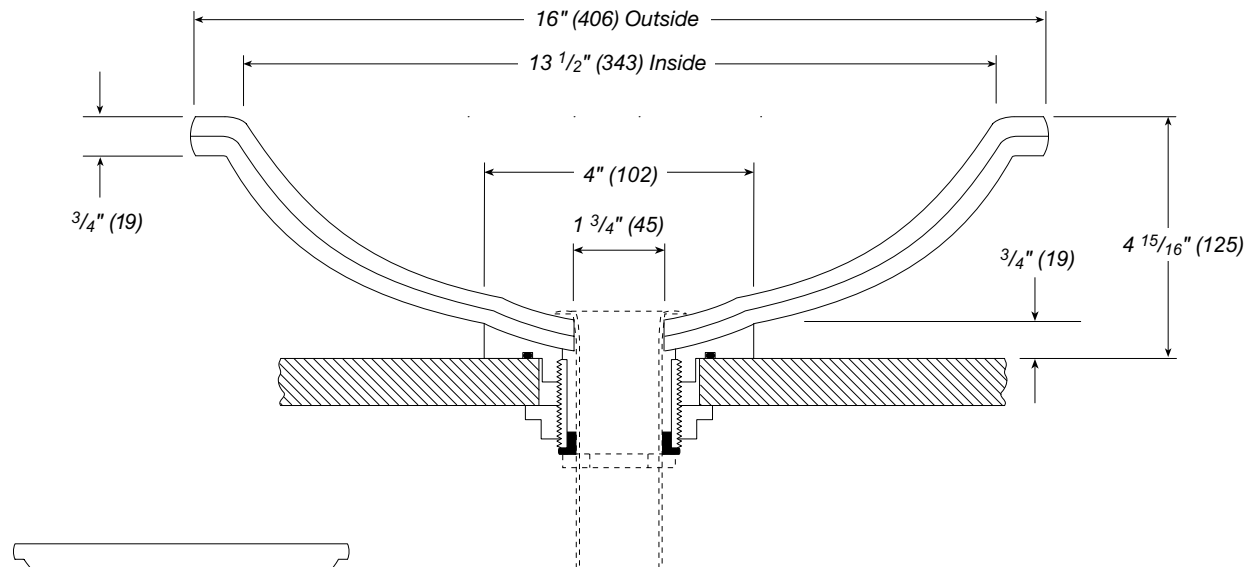
Overflow not available for Freestanding Basin.  
 Requires 2 1/2" (64) Dia. hole in counter for installation.  
 Specify counter thickness if greater than 1 1/4" (32).



### Long Section A



### Short Section B



Acceptable counter thickness without modifications is 1" (25).  
 Drain Mount Nut may be inverted to accommodate up to 1 1/4" (32) material.  
 For countertops over 1 1/4" (32) thick, create 5" (127) diameter relief hole under counter to accommodate drain mount nut as shown.  
 Where modification is not possible, contact factory for assistance.