


Small Rectangular Countersink with Overflow

Small Rectangular Front Countersink Item No. 340
 Small Radius Front Countersink Item No. 440

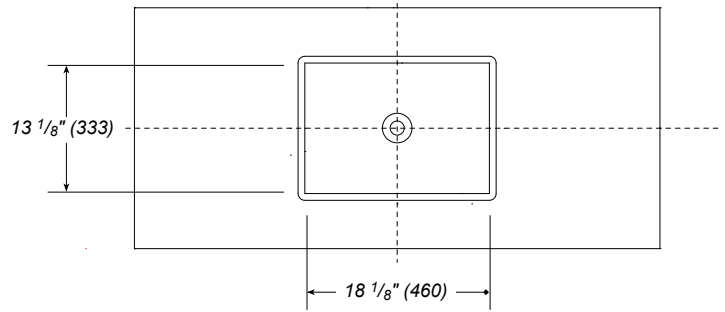
Available in standard widths from 30" (762) to 84" (2132), with one or two bowls. Custom sizes and shapes by request.

See Hardware Specification pgs B.2.2-12 for Vitraform Countersink mounting systems.

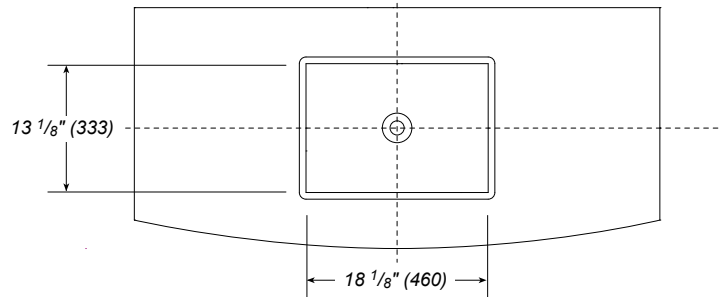
Available with or without overflow. For Basins ordered without Overflow, Overflow Collar is *required* to install drain
 See hardware pg B.1.7 to order required Drain Collar, Item number 900.xx as a separate item with choice of finish.

 See page 4.1.f for general ADA guidelines. Contact factory for installation of this product to meet ADA guidelines in coordination with your faucet specification.

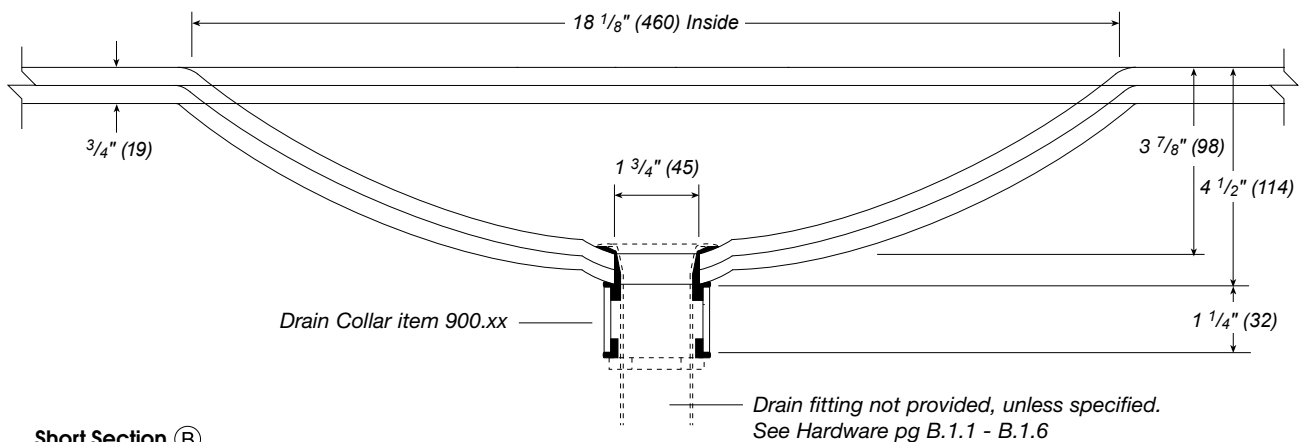
Rectangular Countersink Item No. 340



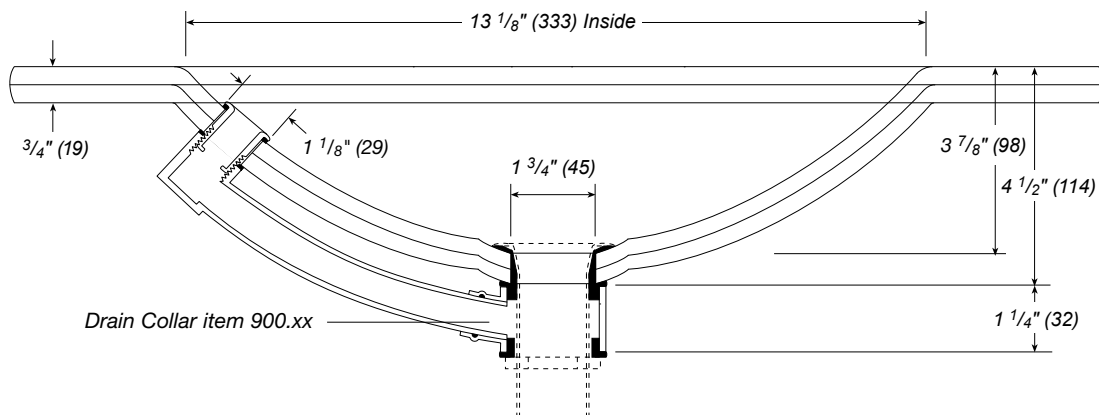
Rectangular Countersink Item No. 440



Long Section (A)



Short Section (B)



FAUCET SELECTION FOR RECTANGULAR COUNTERSINKS 340 AND 440

Vitraform Rectangular Basins are shallow and may require consideration for use with a tall spout. Instead of positioning their hands in the bowl, the user may raise their hands high above the basin to receive the water, which causes splashing.