

## Console with Towel Bar

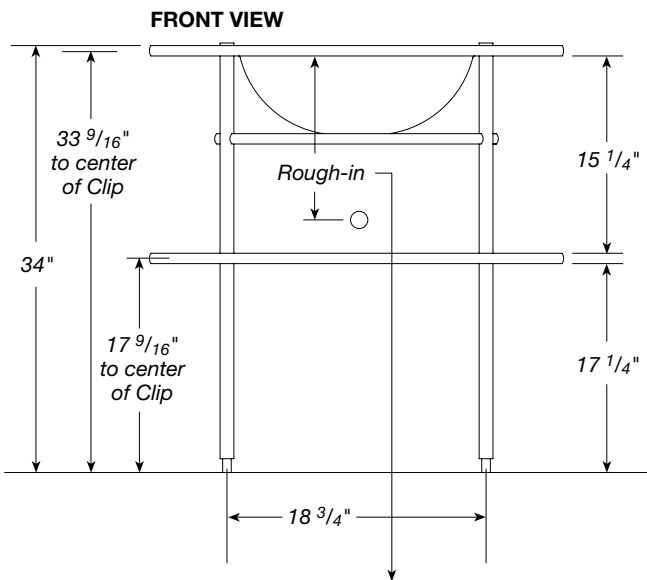
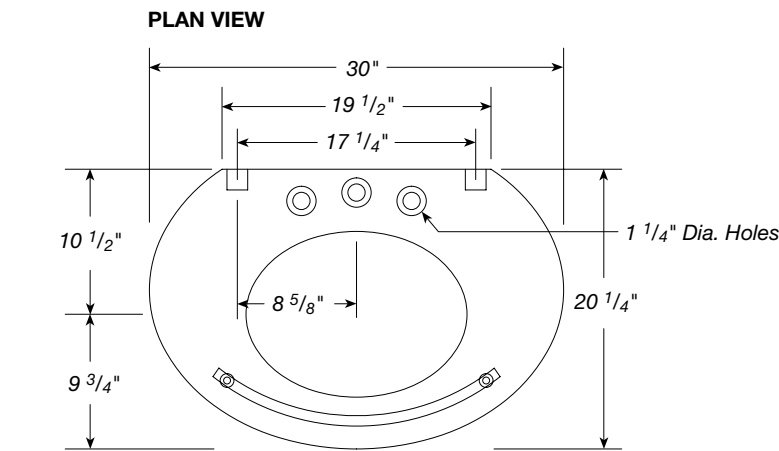
### Rectangular Front

|                          |             |
|--------------------------|-------------|
| Round Basin              | Item 330.XX |
| Oval Basin               | Item 380.XX |
| Rectangular Basin        | Item 390.XX |
| Double Round Basin       | Item 332.XX |
| Double Oval Basin        | Item 382.XX |
| Double Rectangular Basin | Item 392.XX |

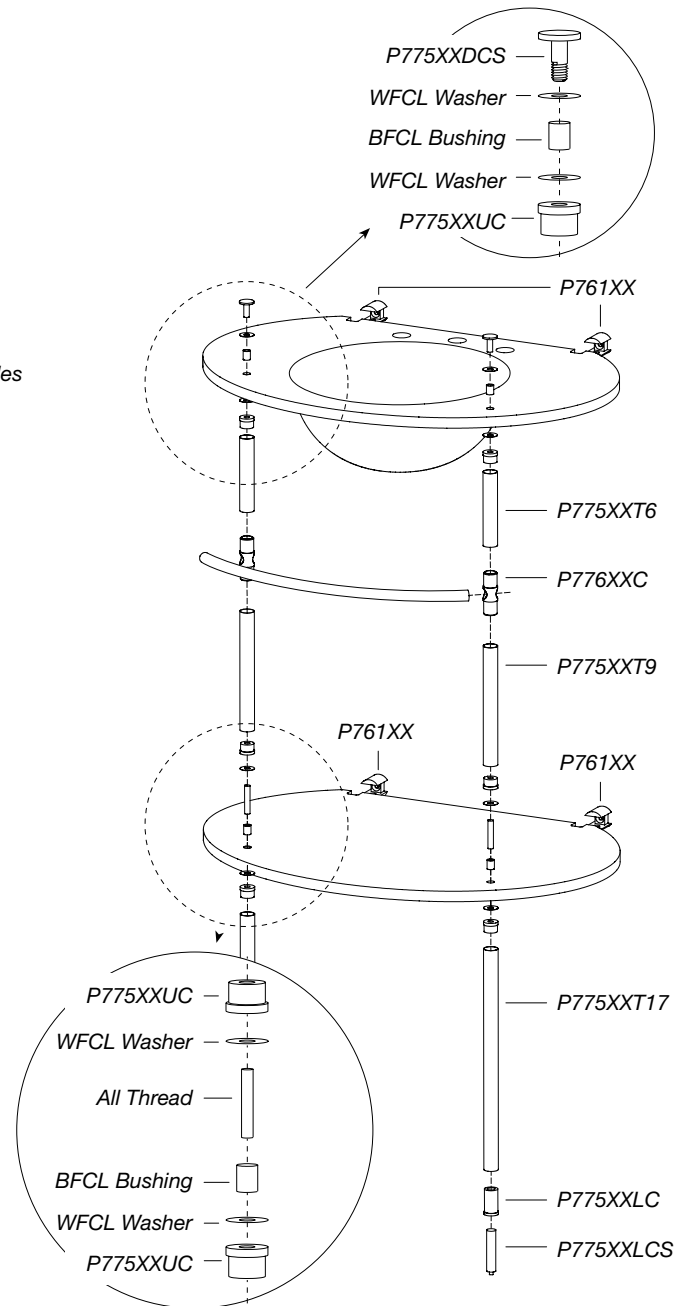
### Radius Front

|                    |             |
|--------------------|-------------|
| Round Basin        | Item 430.XX |
| Oval Basin         | Item 480.XX |
| Double Round Basin | Item 432.XX |
| Double Oval Basin  | Item 482.XX |

**Glass Finish Options:** See Color & Finish guide page 4.2.1 for selection of appropriate glass finishes for this item.



*Drawing for approval provided with rough-in specifications based on required height of counter*



## Console Installation Instructions

Please provide these instructions to contractor at point of sale.

### Planning is an essential part of this installation.

1. Accurately mark the wall with the finished counter height based upon waste pipe(s) at the center of the assembly. The rough-in should be 12" below the finished counter height. Using dimensions found on the specification page 4.2.2 mark on wall the center of the **Flush Clips C** for both the **CounterSink A** and **Shelf B**. Using appropriate fasteners attach Flush Clips to wall. These devices are not adjustable or "levelable" so it is essential to locate and drill mounting holes accurately. When planning this installation remember that the glass is NOTCHED where the Flush Clip is to be installed, allowing only minor horizontal tolerance., so care must be taken to ensure that it is located correctly.
2. Once Flush Clips are attached to wall install all **Upper Caps B** on CounterSink and Shelf using **Decorative Cap Screws C** on CounterSink and **3/8" Threaded Stud E** on Shelf. See exploded view at right to properly assemble washers on the top and bottom of the glass and bushings in the holes to protect the glass.
3. Installation BEGINS WITH THE LOWER SHELF. Floor must be drilled with 1/4" diameter 1/4" deep holes to locate **Lower Leg Levelers F**. To determine proper location of these holes, insert the Lower Leg Levelers into the **Lower Leg assembly G** and adjust to their lowest setting. Attach Leg to Lower Shelf. Gently slide glass into corresponding Flush Clips and roughly adjust Lower Leg Levelers.

Glass is held in position in the Flush Clip by a 1/2" Nylon set screw which is tightened using a 1/4" Allen wrench. This set screw is designed to provide enough pressure to hold the glass from sliding yet allow some cushion for expansion and contraction of the glass and clip. When tightening the set screw make sure the Allen wrench is completely inserted into the hexagonal socket in the set screw to avoid stripping the socket.

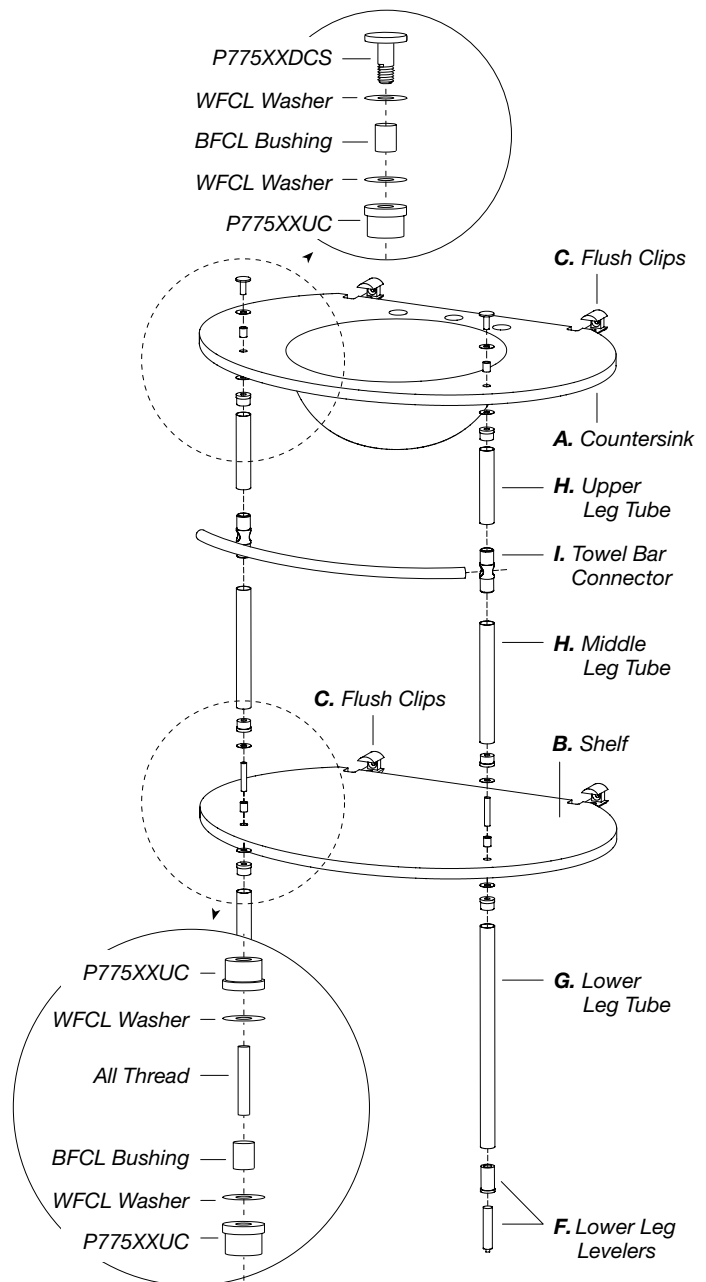
Tighten Nylon Set Screws on **Flush Clips C**. By gently tapping Lower Legs and use of a bubble level, set the Lower Legs to a vertical orientation and mark floor. Disassemble the Lower Shelf, drill holes in floor, and reassemble Lower Shelf as before. Using a bubble level make sure Lower Shelf is level. Place **Upper Leg Tubes H** onto **Upper Caps D** of the Lower Shelf. Gently slide CounterSink into **Upper Flush Clips C** and slide Upper Leg Tubes onto their corresponding Upper Caps. Tighten Nylon Set screws on Top Shelf Set Screws.

**Care for the Vitraform Glass Sink:** Use commercial glass cleaners sprayed onto a soft cloth to clean glass surface(s). Wipe basin dry after use to avoid mineral deposits on glass left by water spots. For frosted glass, special attention to stubborn stains or adhesives may be required. Silicone or other adhesives may be impossible to remove from frosted finishes. If contamination occurs attempt to remove adhesive with glass cleaner first, then denatured alcohol, paint thinner or mineral spirits. If none of these solvents work, the stain might be removed by re-blasting the bowl. Contact the factory for authorization to return the product for evaluation. A return authorization must accompany the product. Please pack the sink in the original box or other proper packing to assure its safe return and insure for full value.

**Care for metal fittings and plated finishes:** Wipe metal fittings dry after use to avoid water spots. Glass cleaner used on the Vitraform Glass Sink may be damaging to metal finishes. Use a diluted, neutral, liquid soap and a soft cloth to clean metal fittings. Never use an abrasive cloth or scouring pad.

Install Towel Bar by carefully sliding through **Towel Bar Connector I** and center from left to right. Tighten #10-24 Set Screws to secure Towel Bar.

Attach supply, and drains as appropriate making sure NOT TO OVERTIGHTEN. This product is glass and is subject to breakage due to overtightening.



Worksheet for Items: 330, 332, 380, 382, 390, 392, 430, 432, 480, 482

This Worksheet is provided for your convenience.

Please refer to the current Vitraform General Price List to build a complete item number and price for this product.

P.O. No: \_\_\_\_\_ Date: \_\_\_\_\_ Sales Person: \_\_\_\_\_ Tel: \_\_\_\_\_ Ext: \_\_\_\_\_

|   |   |          |          |          |          |          |
|---|---|----------|----------|----------|----------|----------|
| Console Order   | Quantity: _____ Please use additional Order Forms for non-identical orders. |          |          |          |          |          |
|   | Order No: _____   |          |          |          |          |          |
|   | <b>A</b>  | <b>B</b> | <b>C</b> | <b>D</b> | <b>E</b> | <b>F</b> |
| Price: \$ _____ NA _____ NA _____ NA _____ TOTAL \$ _____ |   |          |          |          |          |          |

|                                      |  |                        |                       |                        |
|--------------------------------------|--|------------------------|-----------------------|------------------------|
| Overflow                             | <b>Overflow</b>  |                        |                       |                        |
|                                      | See Hardware pg B.1.8<br>Basins with Overflow require this fitting.  |                        |                       |                        |
|                                      | <input type="checkbox"/> Overflow  | <b>Round</b><br>911.XX | <b>Oval</b><br>916.XX | <b>Rect.</b><br>918.XX |
| Drains                               | <b>Drains (optional) for Overflow</b> See Metal Finish Key below for "XX"<br>See Hardware pg B.1.1 - B.1.6 |                        |                       |                        |
|                                      | <b>Drain Set with:</b>   | <b>US Trap</b>         | <b>Euro Siphon</b>    |                        |
|                                      | <input type="checkbox"/> Grid Strainer   | 810.XX                 | 810.XXS               |                        |
| <input type="checkbox"/> Pivot Drain | 820.XX   | 820.XXS                |                       |                        |
| <input type="checkbox"/> Dome Open   | 860.XX   | 860.XXS                |                       |                        |
| <input type="checkbox"/> Dome Pop-up | 862.XX   | 862.XXS                |                       |                        |

|                                      |   |                        |                       |                        |
|--------------------------------------|---|------------------------|-----------------------|------------------------|
| No Overflow                          | <b>without Overflow</b>   |                        |                       |                        |
|                                      | See Hardware pg B.1.7<br>Basins without Overflow require this fitting to install drain.                       |                        |                       |                        |
|                                      | <input type="checkbox"/> Collar   | <b>Round</b><br>900.XX | <b>Oval</b><br>900.XX | <b>Rect.</b><br>900.XX |
| Drains                               | <b>Drains (optional) for No Overflow</b> See Metal Finish Key below for "XX"<br>See Hardware pg B.1.1 - B.1.6 |                        |                       |                        |
|                                      | <b>Drain Set with:</b>  | <b>US Trap</b>         | <b>Euro Siphon</b>    |                        |
|                                      | <input type="checkbox"/> Grid Strainer  | 811.XX                 | 811.XXS               |                        |
| <input type="checkbox"/> Pivot Drain | 821.XX  | 821.XXS                |                       |                        |
| <input type="checkbox"/> Dome Open   | 861.XX  | 861.XXS                |                       |                        |
| <input type="checkbox"/> Dome Pop-up | 863.XX  | 863.XXS                |                       |                        |

The following information is required by the factory to provide a drawing for approval.

|  |  |  |
|--|--|--|
| Faucet Specifications  | <b>Deck mount faucet</b>                           |  |
|  | <input type="checkbox"/> Single Hole*              | _____  |
|  | <input type="checkbox"/> Wide spread*              | _____  |
|  | <input type="checkbox"/> Position in straight line | <input type="checkbox"/> Follow line of bowl |
| *For Deck mount faucets attach manufacturer's specifications for spout projection, escutcheon size and hole size(s). |  |  |
| <b>Wall mount faucet</b>   |  |  |
| <input type="checkbox"/> Faucet Manufacturer and item number   | _____  |  |
| *For Wall mount faucets attach manufacturer's specifications for spout projection, escutcheon size and hole size(s). |  |  |

|   |   |       |
|---|---|-------|
| Custom Options  | <b>Console Leg Specifications</b>                           |       |
|   | Counter height (specify dimension):                         | _____ |
|   | <b>Custom Counter</b>                                       |       |
|   | <input type="checkbox"/> Size: enter exact dimensions below | _____ |
| Width:  | Depth:  |       |
| <input type="checkbox"/> Pencil Edge  | <input type="checkbox"/> Flat Polished Edge                 |       |
| <input type="checkbox"/> Combination Flat and Pencil Edges (attach drawing)                     |   |       |
| Attach rough drawing for position of bowl, shape of counter, type of support and other details. |   |       |

**Net Crating Charge** See Current Price List for Net Crating charges by size.

**Finish Key** Call for quote on custom finishes.

|   |                          |                          |                          |                          |
|---|--------------------------|--------------------------|--------------------------|--------------------------|
| <b>Example:</b>                                 | <b>Fin. Group 1 Code</b> | <b>Fin. Group 2 Code</b> | <b>Fin. Group 3 Code</b> | <b>Fin. Group 4 Code</b> |
| Add 2 digit Finish Code to 3 digit Item No.     | Polished Chrome 10       | Polished Nickel 12       | Oil Rubbed Bronze 15     | Polished Gold 13         |
| 810.20 = Grid with US PTrap <b>Satin Chrome</b> |                          | Satin Chrome 20          | PVD Brass 16             | Satin Gold 23            |
|   |                          | Satin Nickel 22          | Satin Brass 21           |                          |