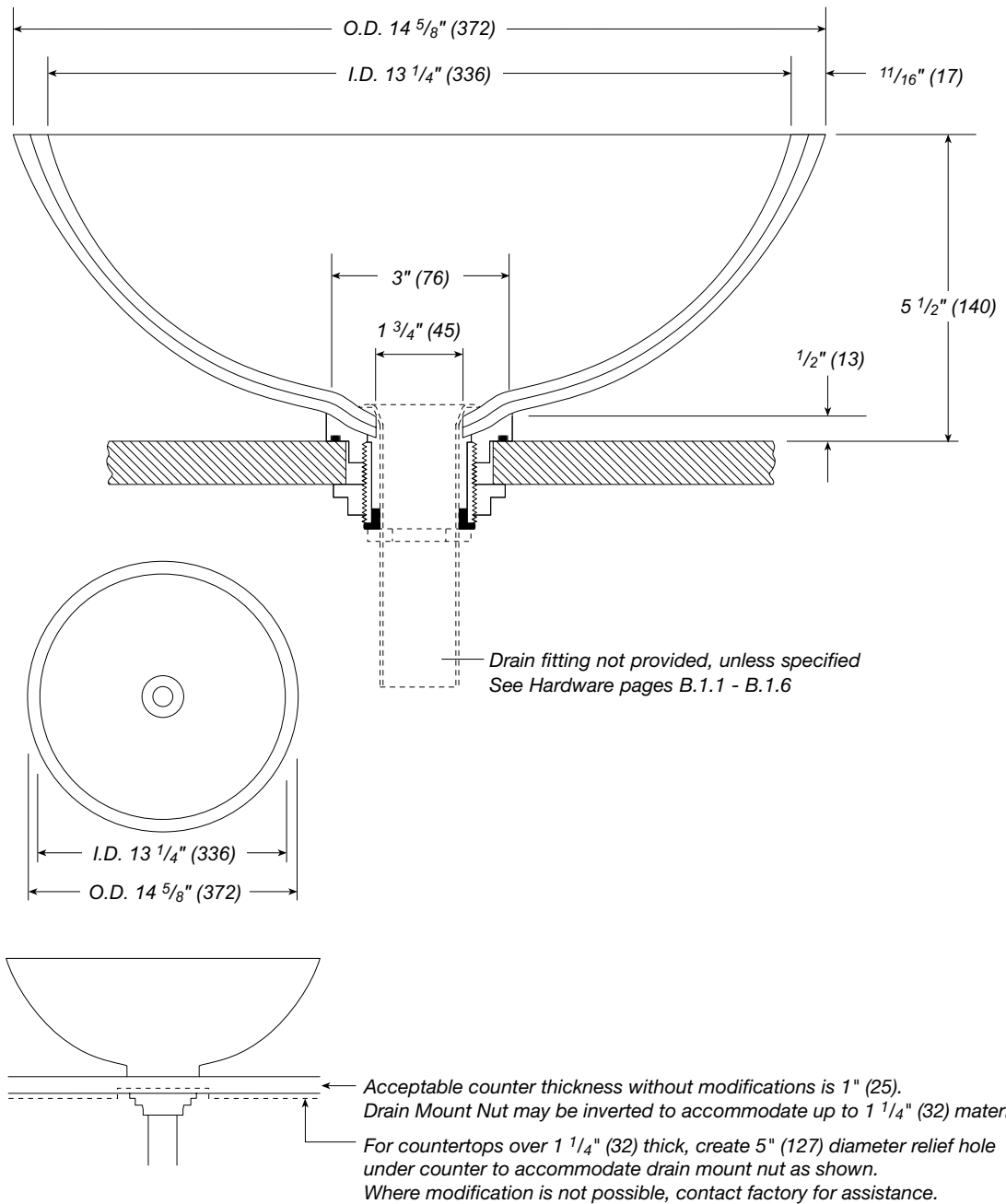


**Small Round Freestanding Basin** Item No. 200

Overflow not available for Freestanding Basin.

Requires 2 1/2" (64) Dia. hole in counter for installation.

Specify counter thickness if greater than 1 1/4" (32).





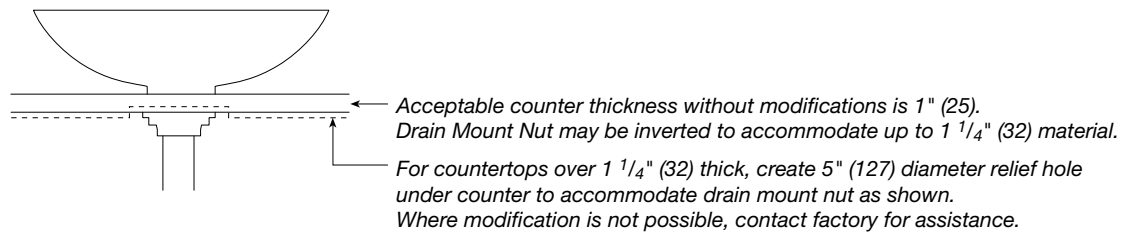
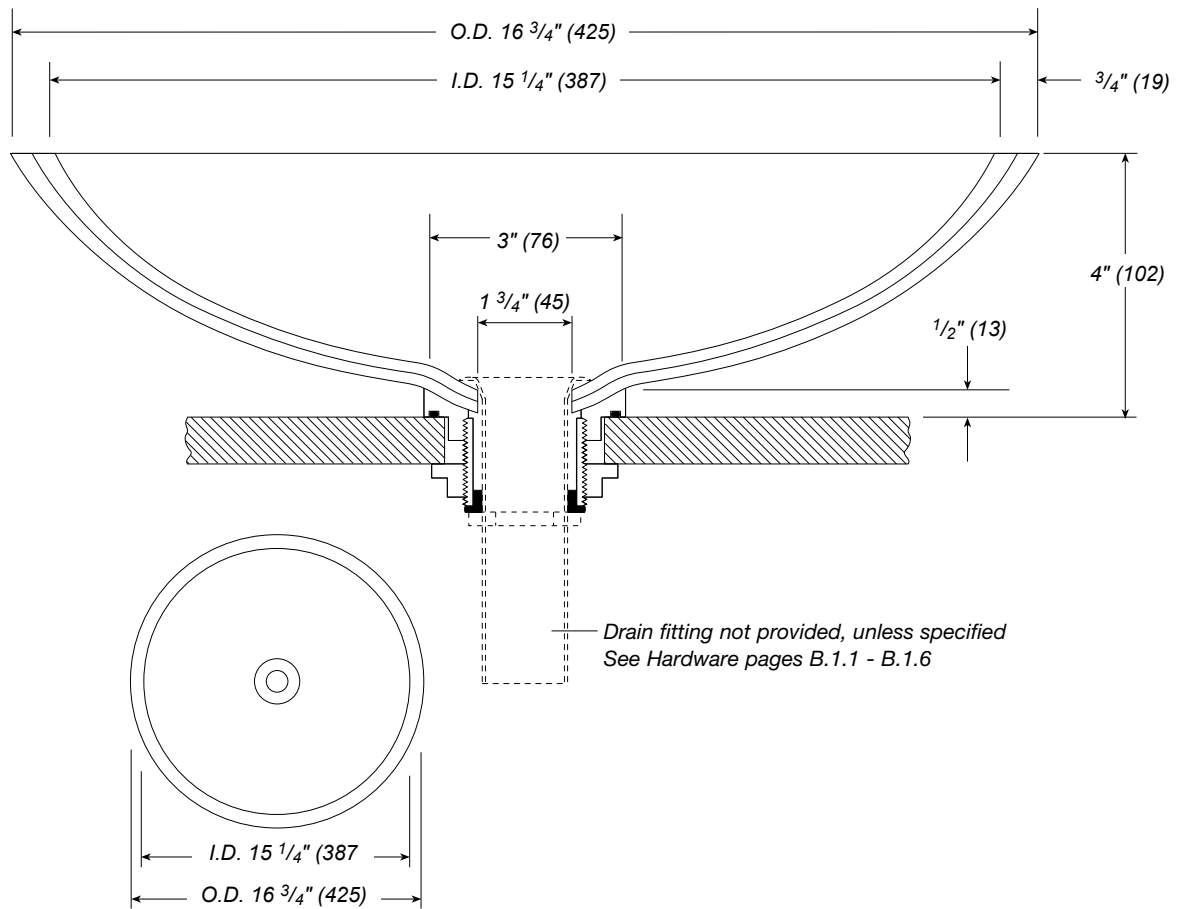
 **Large Round ADA Freestanding Basin** Item No. 214

See page 3.1.c for general ADA guidelines. Contact factory for installation of this product to meet ADA guidelines in coordination with your faucet specification.

Overflow not available for Freestanding Basin.

Requires 2 1/2" (64) dia. hole in counter for installation.

Specify counter thickness if greater than 1 1/4" (32).

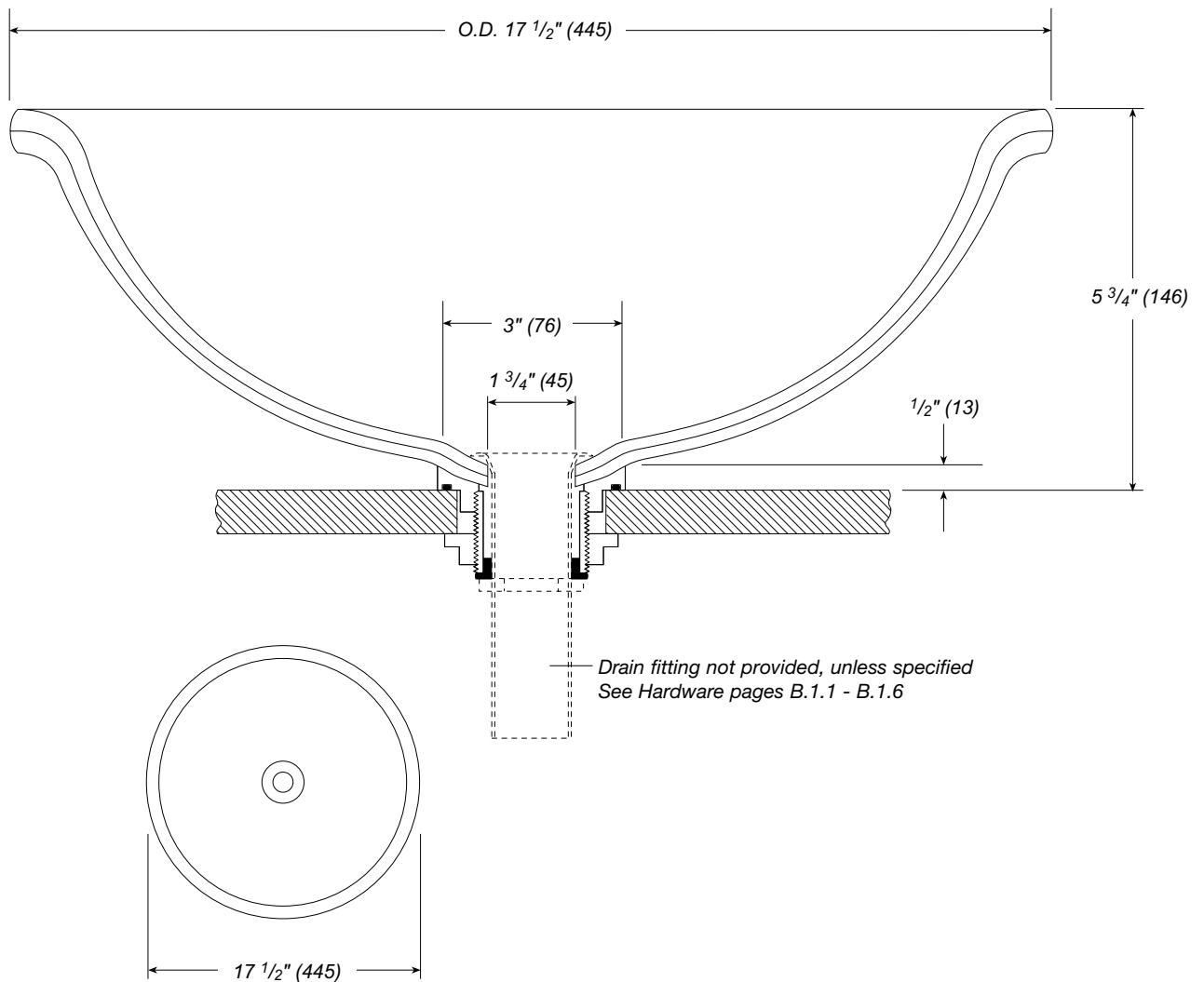


**Large Round Freestanding Basin with Pencil Edge** Item No. 230

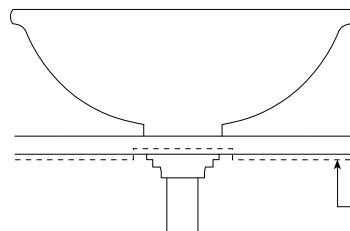
Overflow not available for Freestanding Basin.

Requires 2 1/2" (64) dia. hole in counter for installation.

Specify counter thickness if greater than 1 1/4" (32).



Drain fitting not provided, unless specified  
See Hardware pages B.1.1 - B.1.6



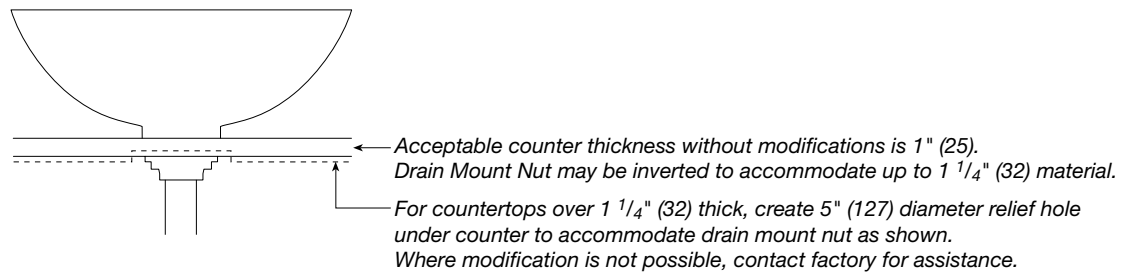
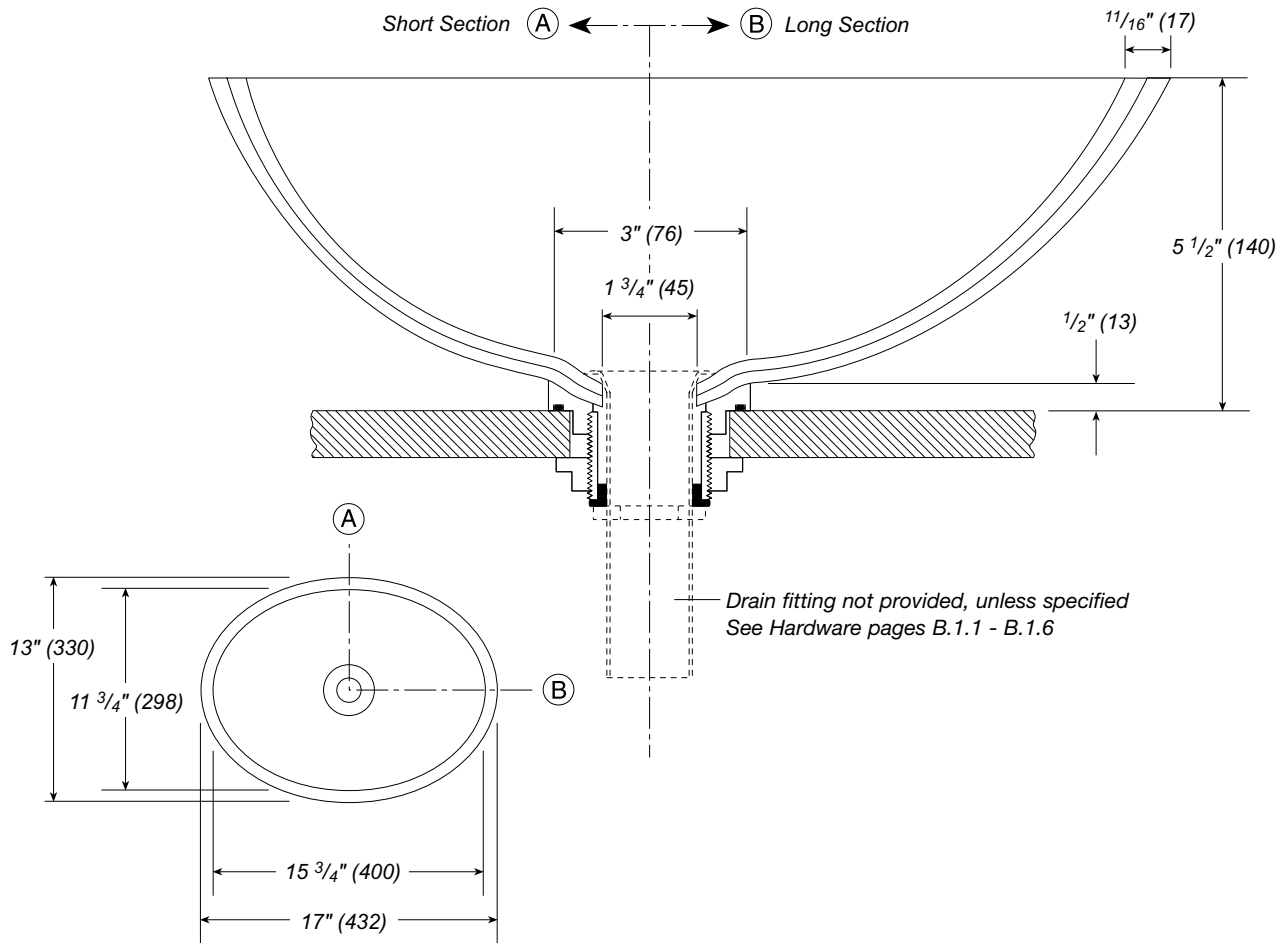
Acceptable counter thickness without modifications is 1" (25).  
Drain Mount Nut may be inverted to accommodate up to 1 1/4" (32) material.  
For countertops over 1 1/4" (32) thick, create 5" (127) diameter relief hole  
under counter to accommodate drain mount nut as shown.  
Where modification is not possible, contact factory for assistance.

**Small Oval Freestanding Basin** Item No. 250

Overflow not available for Freestanding Basin.

Requires 2 1/2" (64) dia. hole in counter for installation.

Specify counter thickness if greater than 1 1/4" (32).

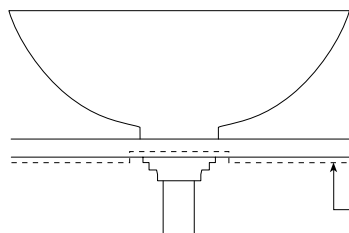
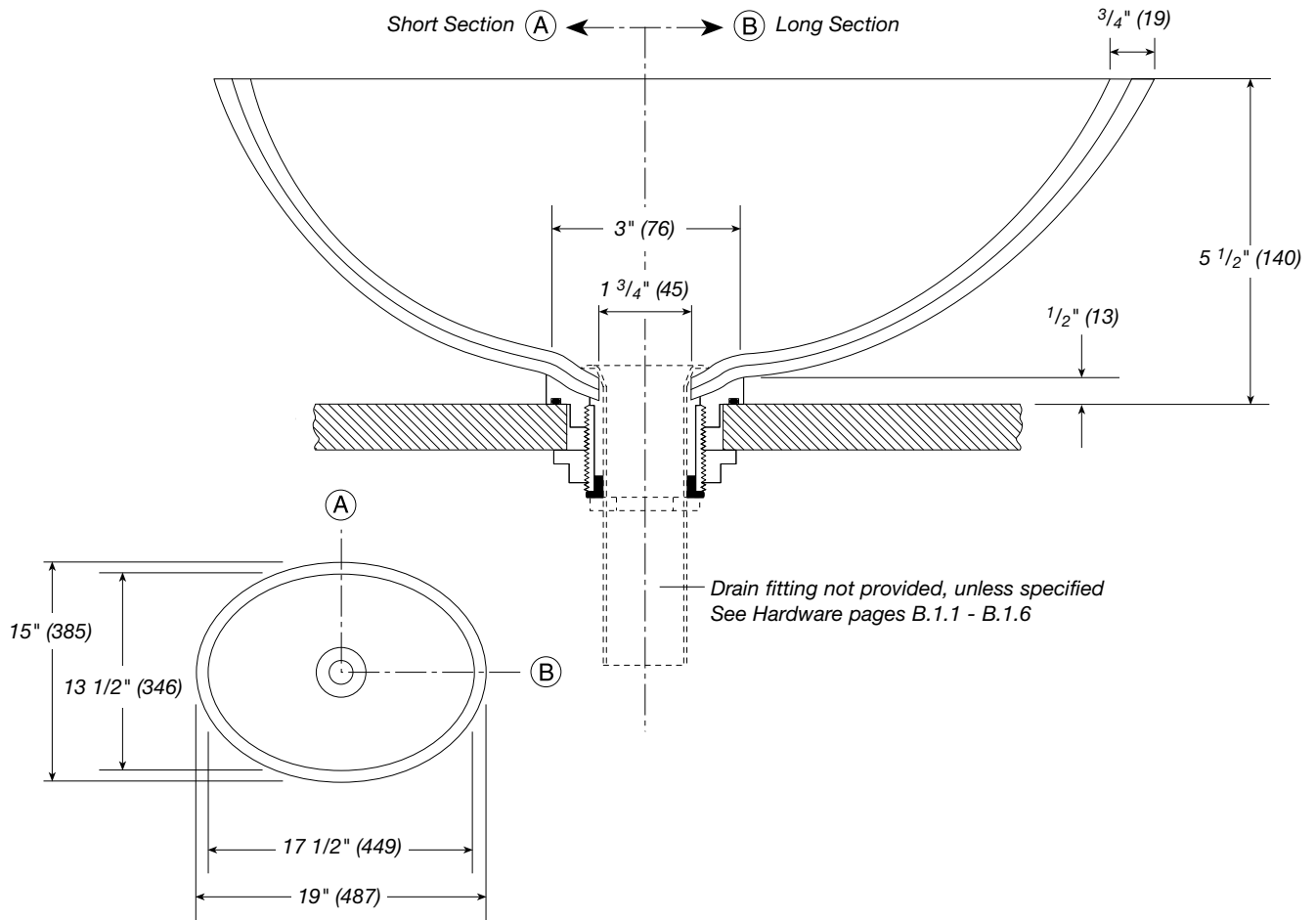


**Large Oval Freestanding Basin** Item No. 260

Overflow not available for Freestanding Basin.

Requires 2 1/2" (64) dia. hole in counter for installation.

Specify counter thickness if greater than 1 1/4" (32).



Acceptable counter thickness without modifications is 1" (25).  
 Drain Mount Nut may be inverted to accommodate up to 1 1/4" (32) material.  
 For countertops over 1 1/4" (32) thick, create 5" (127) diameter relief hole under counter to accommodate drain mount nut as shown.  
 Where modification is not possible, contact factory for assistance.

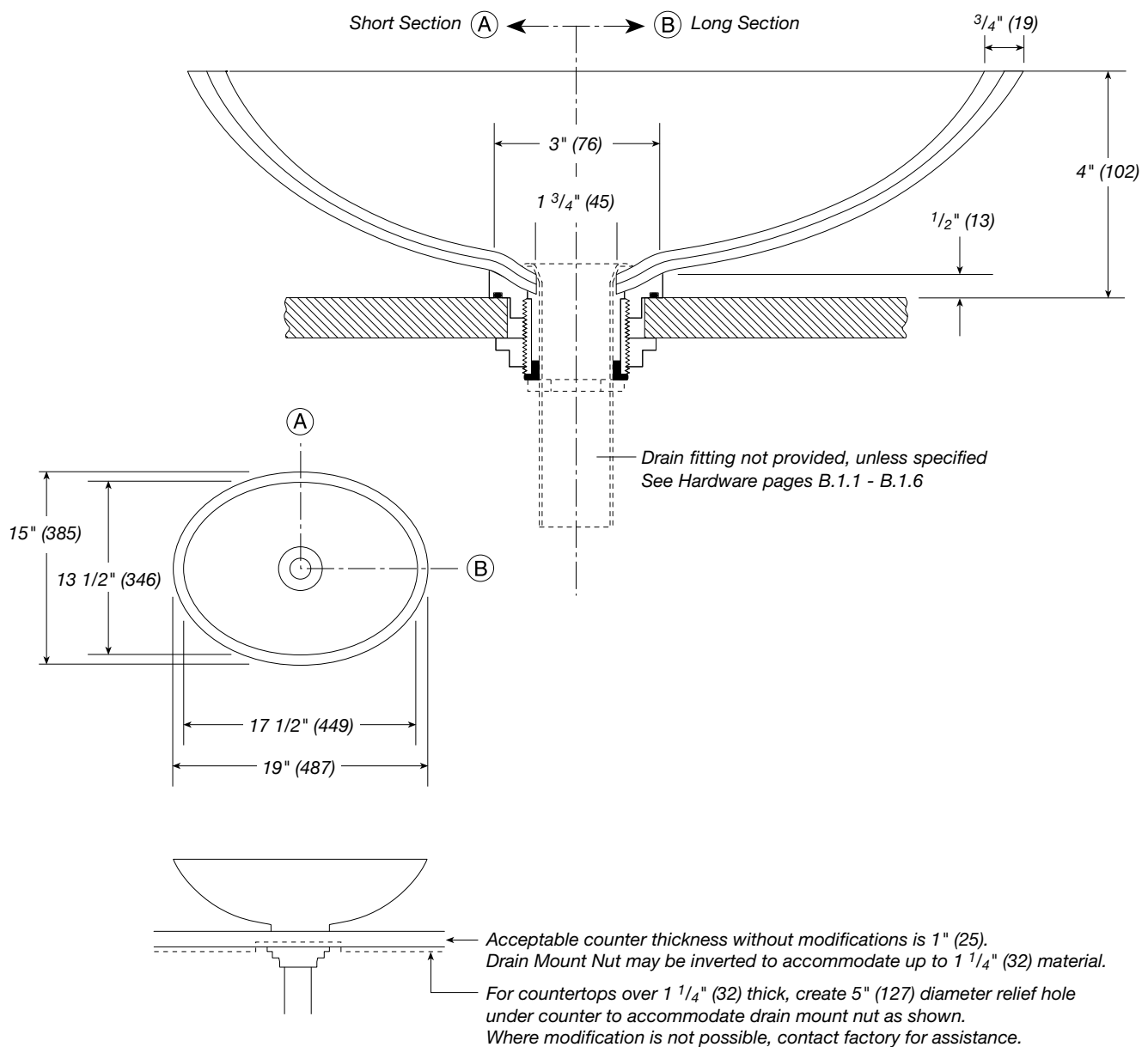
 **Large Oval ADA Freestanding Basin** Item No. 264

See page 3.1.c for general ADA guidelines. Contact factory for installation of this product to meet ADA guidelines in coordination with your faucet specification.

Overflow not available for Freestanding Basin.

Requires 2 1/2" (64) dia. hole in counter for installation.

Specify counter thickness if greater than 1 1/4" (32).



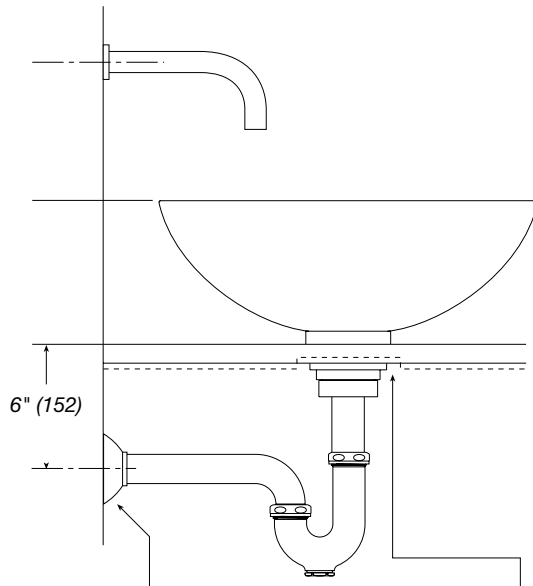
## Rough-in Specification for Freestanding Basins

Please provide these instructions to contractor at point of sale.  
See pg 3.1.c for ADA rough-in requirements.

### Rough-in for waste

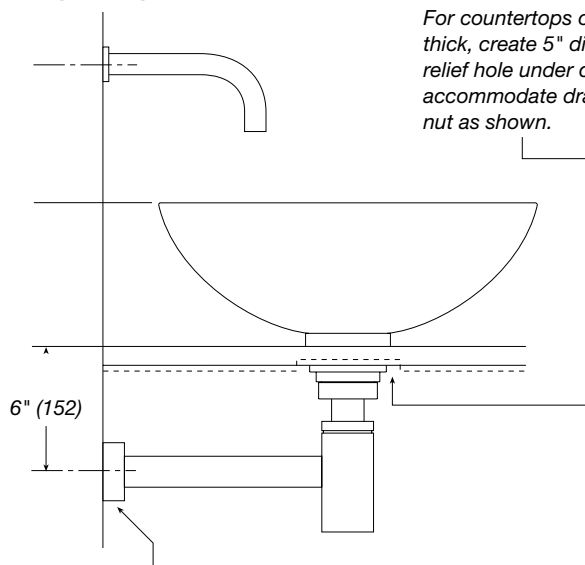
Drawings below show recommended height of waste rough-in for all Vitraform Drain systems. If additional distance is required, see pgs B.1.1-4 for maximum rough-in dimensions of individual drains.

#### P Trap



The compression fitting should not extend more than  $\frac{5}{8}$ " (16) beyond the finished wall in order to be covered by the Vitraform escutcheon.

#### European Siphon



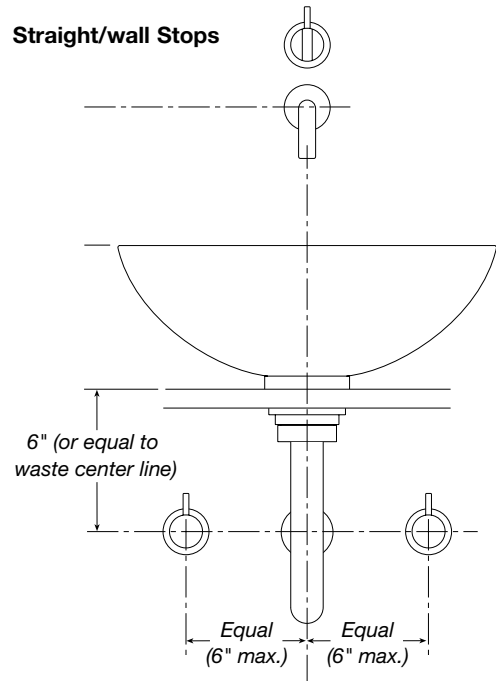
For countertops over  $1 \frac{1}{4}$ " thick, create 5" diameter relief hole under counter to accommodate drain mount nut as shown.

The compression fitting should not extend more than  $\frac{5}{8}$ " (16) beyond the finished wall in order to be covered by the Vitraform escutcheon.

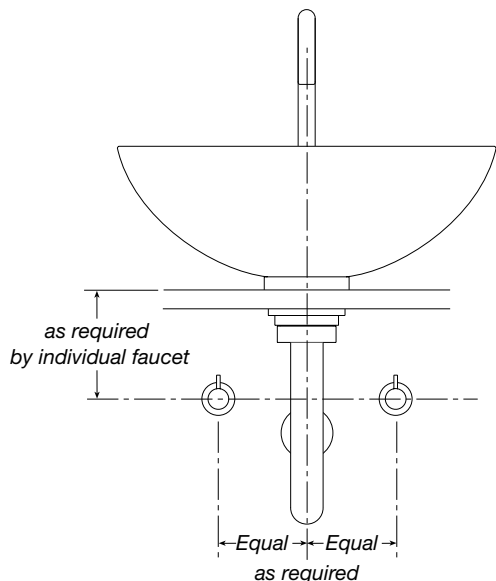
### Recommended position for Stops

Drawings below are guidelines for placement of exposed fittings in Vitraform installations. Stops should be level and centered on waste line. For deck mounted faucets, height and center to center of angle stops will be defined by the length of water lines of each individual faucet.

#### Straight/wall Stops



#### Angle Stops





## Freestanding Basin Item No. 200, 210, 214, 230, 250, 260 & 264

Please provide these instructions to contractor at point of sale.

**CAUTION:** This sink is made of glass. It is very strong, but sensitive to hard object impact, extreme change in temperature and high mechanical stress. Most damage to this product occurs during installation. Please follow installation instructions carefully. VITRAFORM sinks are intended and Warranted for Lavatory use only.

### Hardware Supplied:

- A. Base Mount (permanently attached to sink)
- B. Base Mount Nipple (semi-permanently attached to Base Mount A)
- C. Base Mount Nut
- D. O-ring
- E. T-gasket
- F. Freestanding Grommet

Freestanding sinks are packaged using mounting hardware as part of the packaging system. To unpack the sink, Base Mount Nut **C** and "T" Gasket **E** must be removed from the sink. Be careful not to lose these parts, they are necessary later for installation of the product.

Base Mount Nipple **B** is installed at the factory using a "Thread Locking" material. This part should be left in the basin. If the removal of the nipple is necessary please contact the factory for assistance.

The Base Mounting hardware included with this sink is provided as a structural support and mechanical attachment to the counter surface. Do not use "Thread Sealing Materials" on the mounting hardware (Items **A**, **B** or **C**). No part of the mounting hardware is involved in

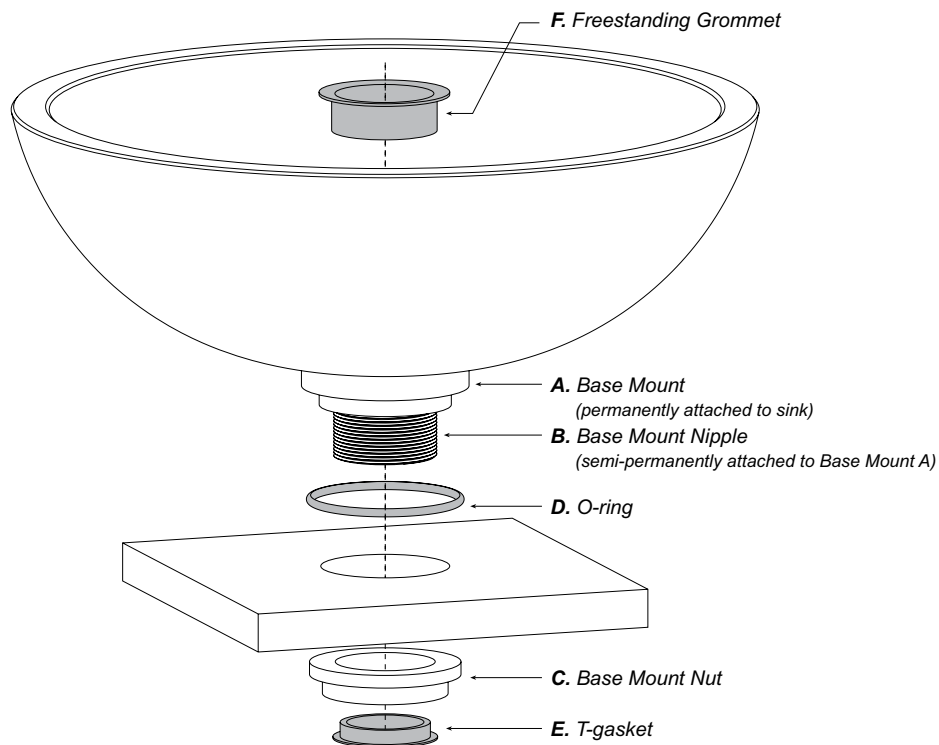
the seal or function of the drain. Adhesives or sealant will only make it difficult or impossible to remove the sink if it is necessary to do so. The drain assembly should be installed following the instructions provided with the Vitraform drain of your choice.

### Basin Installation:

1. Place Basin on counter by inserting Base Mount Nipple **B** into 2 1/2" (64) hole in counter with O-ring **D** in its corresponding groove in Base Mount **A**.
2. For counter thickness of 3/4" (19) to 1" (25) install Base Mount Nut **C** as shown. For counter thickness from 1" (25) to 1 1/4" (32) thickness, invert Base Mount Nut **C** so that the smaller diameter faces upward. For counter thickness over 1 1/4" thickness, request special fitting from factory based on your counter thickness. Refer to drain specifications to coordinate drain with counter thickness. Thread Base Mount Nut **C** onto Base Mount Nipple **B**. **TIGHTEN BY HAND ONLY**.
3. Freestanding Grommet **F** is to be installed inside the drain hole of the basin before installing the Drain. Install drain according to instructions provided. T-gasket **E** is an optional replacement for wedge washers provided with certain drains that may be too short for this installation.

### Drain Installation

See Hardware pgs. B.1.1-4 for instructions on installing Vitraform drain systems with this basin.



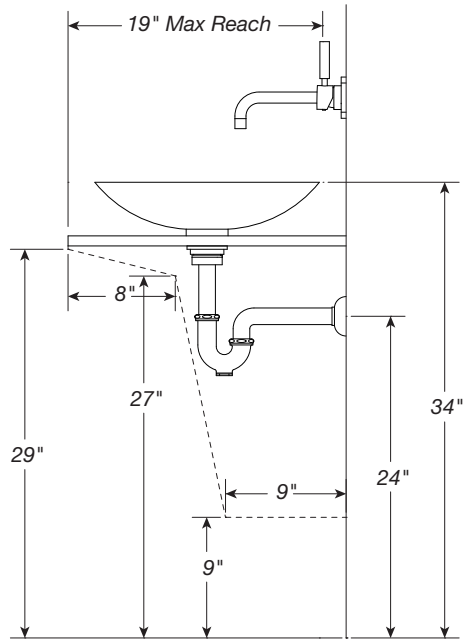
**Care for the Vitraform Glass Sink:** Use commercial glass cleaners sprayed onto a soft cloth to clean glass surface(s). Wipe basin dry after use to avoid mineral deposits on glass left by water spots. For frosted glass, special attention to stubborn stains or adhesives may be required. Silicone or other adhesives may be impossible to remove from frosted finishes. If contamination occurs attempt to remove adhesive with glass cleaner first, then denatured alcohol, paint thinner or mineral spirits. If none of these solvents work, the stain might be removed by re-blasting the bowl. Contact the factory for authorization to return the product for evaluation. A return authorization must accompany the product. Please pack the sink in the original box or other proper packing to assure its safe return and insure for full value.

**Care for metal fittings and plated finishes:** Wipe metal fittings dry after use to avoid water spots. Glass cleaner used on the Vitraform Glass Sink may be damaging to metal finishes. Use a diluted, neutral, liquid soap and a soft cloth to clean metal fittings. Never use an abrasive cloth or scouring pad.

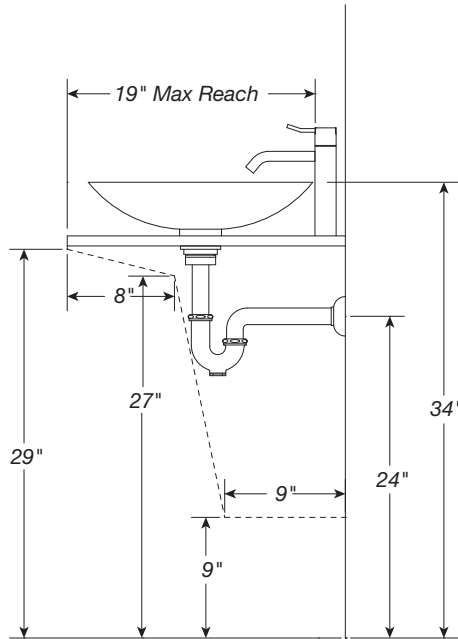
 **ADA Installation Guidelines Item No. 214 & 264**

Please provide these instructions to contractor at point of sale.

214 & 264 Freestanding  
with Wall Faucet



214 & 264 Freestanding  
with Deck Faucet



**Dimension Reference Chart**

Item	Description	Dim.	
A	Counter Height	34"	Max.
B	Apron	29"	Min.
C	Knee Clearance	27"	Min.
D	Toe Clearance	9"	Min.
E	Rough-in	23 3/4"	Min.
F	Knee Clearance	8"	Min.
G	Toe Clearance	6"	Max.

**DECK FAUCETS:**

Reach to faucet handle must be Maximum 19". Faucet may be positioned to side or on angle to accommodate basin. Provide faucet specification and request drawing from factory for coordination.

NOTE: The information above is for general reference only. Please refer to published ADA Guideline for local compliance and exact requirements. [www.ada.gov](http://www.ada.gov) (see Figs. 31 & 32).

# FREESTANDING BASIN

**Worksheet** for Items: 200, 210, 214, 230, 250, 260 & 264

This Worksheet is provided for your convenience.

Please refer to the current Vitraform General Price List to build a complete item number and price for this product.

P.O. No: \_\_\_\_\_ Date: \_\_\_\_\_ Sales Person: \_\_\_\_\_ Tel: \_\_\_\_\_ Ext: \_\_\_\_\_

Glass Order	Quantity: _____ Please use additional Order Forms for non-identical orders.					
	Order No: _____	_____	_____	_____	_____	_____
	<b>A</b>	<b>B</b>	<b>C</b>	<b>D</b>	<b>E</b>	<b>F</b>
Price: \$ _____	NA	_____	NA	_____	_____	TOTAL \$ _____

**Counter Thickness** Specify if greater than 1" (25): \_\_\_\_\_

Drains	<b>Drain (optional)</b> See Metal Finish Key below for "XX" See Hardware pg B.1.1 - B.1.6		
		<b>US Trap</b>	<b>Euro Siphon</b>
	<input type="checkbox"/> Grid Set	811.XX	811.XXS
	<input type="checkbox"/> Pivot Drain	821.XX	821.XXS
	<input type="checkbox"/> Dome Open	861.XX	861.XXS
<input type="checkbox"/> Dome Pop-up	863.XX	863.XXS	

Hardware	<b>Available for Freestanding Basins Only (optional)</b> See Hardware pg B.2.1 - B.2.1a	
	<b>Qty.</b>	<b>Item / Fin. #</b>
	<input type="checkbox"/> Mono Mount	_____

**Finish Key** Call for quote on custom finishes.

<b>Example:</b>	<b>Fin. Group 1 Code</b>	<b>Fin. Group 2 Code</b>	<b>Fin. Group 3 Code</b>	<b>Fin. Group 4 Code</b>
Add 2 digit Finish Code to 3 digit Item No.	Polished Chrome 10	Polished Nickel 12	Oil Rubbed Bronze 15	Polished Gold 13
810.20 = Grid with US PTrap <b>Satin Chrome</b>		Satin Chrome 20	PVD Brass 16	Satin Gold 23
		Satin Nickel 22	Satin Brass 21	