

**G.N. Vanity** Item No. VF4

Wood cabinet only. See page A.4.1 for standard veneer choices. Custom sizes and veneer options by quotation.

Order glass components separately:  
 Round, Oval or Rectangular Vitraform Countersink (see Section 4.0)  
 Countertop for Freestanding Basin (see Section 5.0)  
 Round or Oval Freestanding Basin (see Section 3.0)

For Minimum and Maximum Counter and Cabinet heights refer to table at right, and pgs B.2.5 - B.2.5.a for Installation of Two-part Leg. Order Two Part legs separately. Refer to General price list for prices and metal finish options.

Glass may be attached at wall using Channel at Back or Flush Clips. Surface Clips are not recommended.

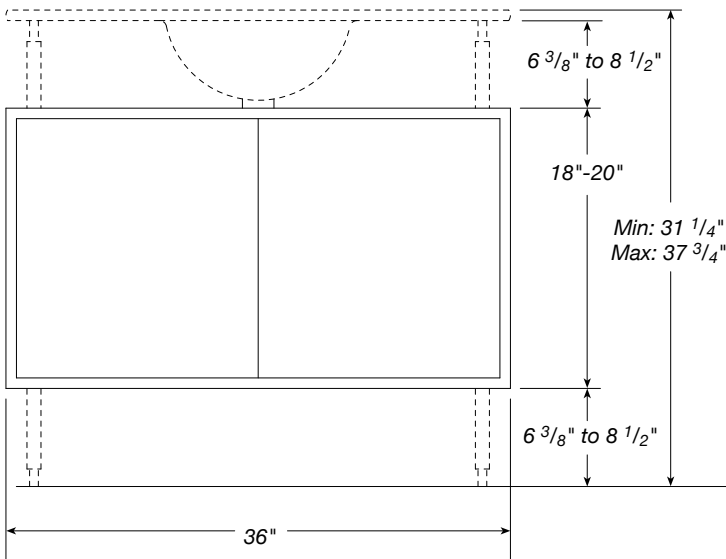
Vitraform Cabinet pulls are optional. Refer to General price list for prices and metal finish options. For pulls "by other", specify hole size and drill location on Work Sheet page 7.1.w.

**Counter and Cabinet Heights using Two-part Leg**

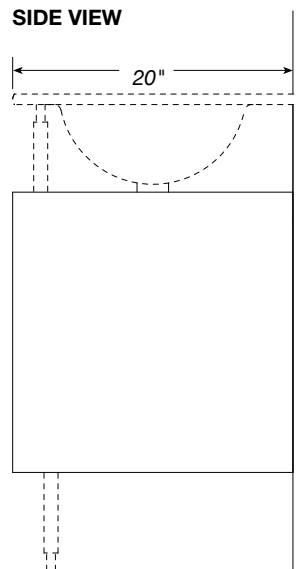
| Countersinks with Overflow       | Finished Counter Height   |
|----------------------------------|---|
| 18" Cabinet with Overflow        | Min: 33 <sup>5</sup> / <sub>8</sub> " Max: 35 <sup>3</sup> / <sub>4</sub> "   |
| 20" Cabinet with Overflow        | Min: 35 <sup>5</sup> / <sub>8</sub> " Max: 37 <sup>3</sup> / <sub>4</sub> "   |
| Countersinks without Overflow    |   |
| 18" Cabinet without Overflow     | Min: 31 <sup>1</sup> / <sub>2</sub> " Max: 35 <sup>3</sup> / <sub>4</sub> "** |
| 20" Cabinet without Overflow     | Min: 33 <sup>1</sup> / <sub>2</sub> " Max: 37 <sup>3</sup> / <sub>4</sub> "** |
| Freestanding Basin on Countertop |   |
| 18" Cabinet (Overflow NA)        | Min: 31 <sup>1</sup> / <sub>2</sub> " Max: 35 <sup>3</sup> / <sub>4</sub> "** |
| 20" Cabinet (Overflow NA)        | Min: 33 <sup>1</sup> / <sub>2</sub> " Max: 37 <sup>3</sup> / <sub>4</sub> "** |

\*Finished height of Countertop, add 6" to top of Basin.

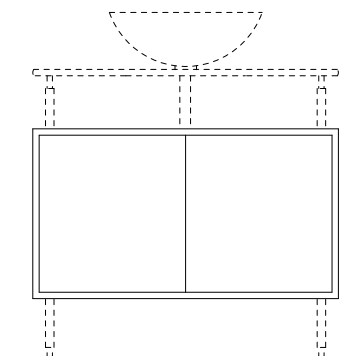
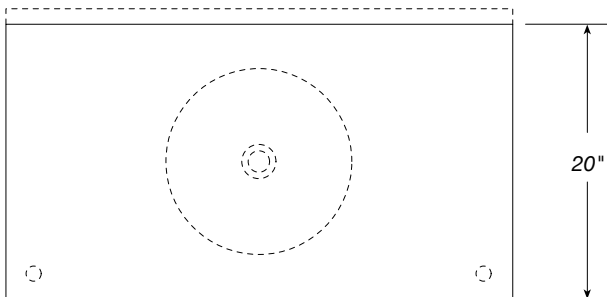
**FRONT VIEW**



**SIDE VIEW**



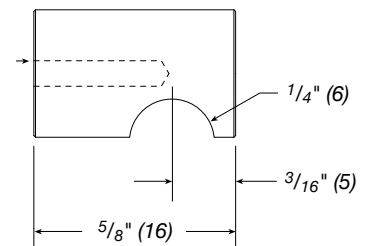
**PLAN VIEW**



Shown above with Countertop and Freestanding Basin.

**OPTIONAL CABINET PULL**

**SIDE VIEW**



**PLAN VIEW**

